

ALL DIMENSIONS ARE REFERENCE
(SEE C-281-XXXX-X FOR CONTROLLING PRINT)

CC81X-XXXX-01-X

DO NOT
SCALE FROM
THIS PRINT

SUPPLIED
-L: LOOSE
-R: REEL

LEAD STYLE
-2426: 24-26 AWG
-2830: 28-30 AWG

PLATING SPECIFICATION
-L: 10µ" SELECTIVE GOLD IN CONTACT
AREA, MATTE TIN ON TAIL.
-S: 30µ" SELECTIVE GOLD IN CONTACT
AREA, MATTE TIN ON TAIL.

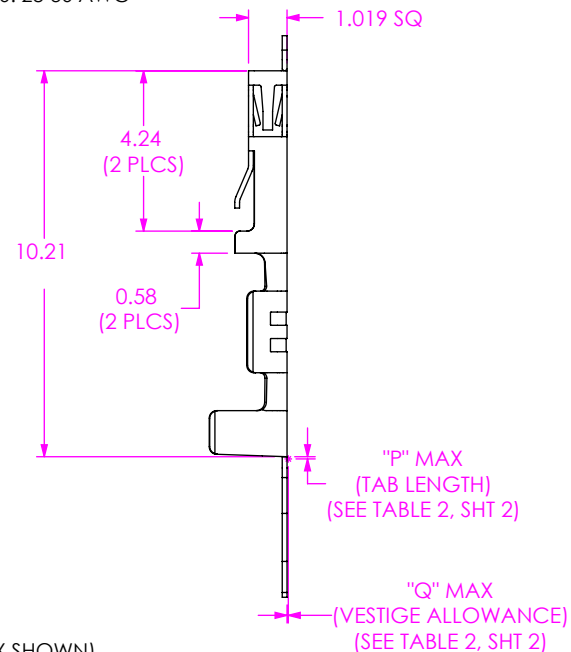
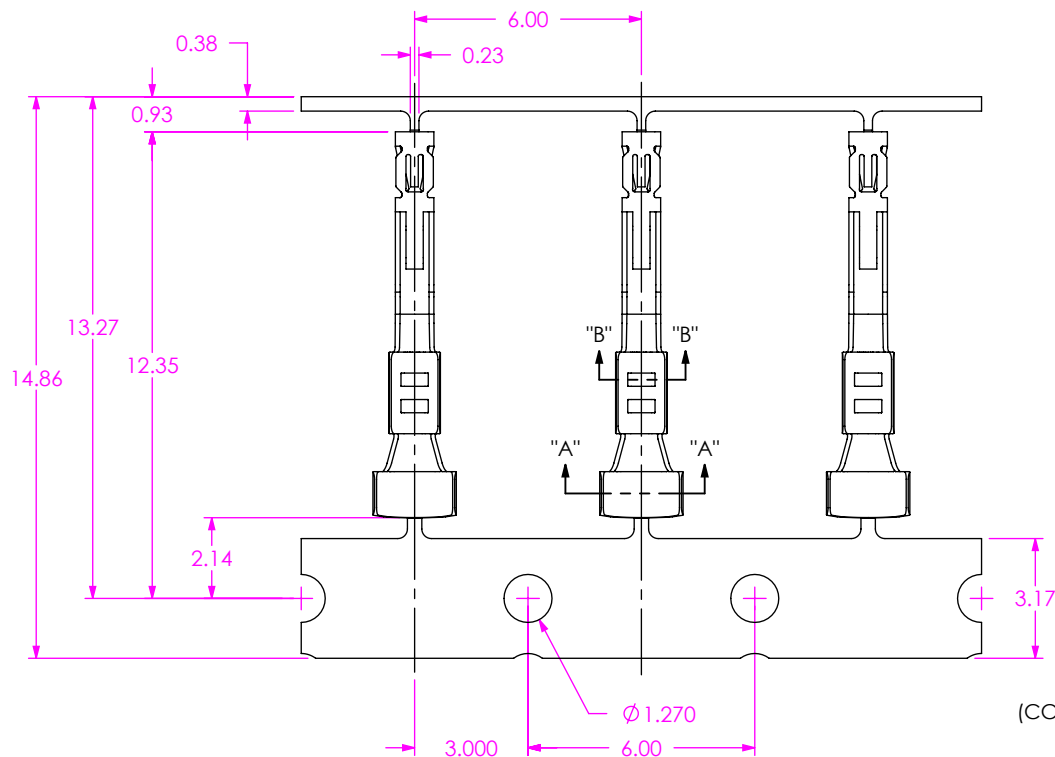
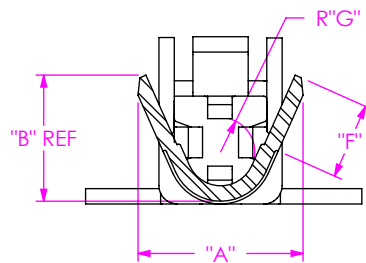
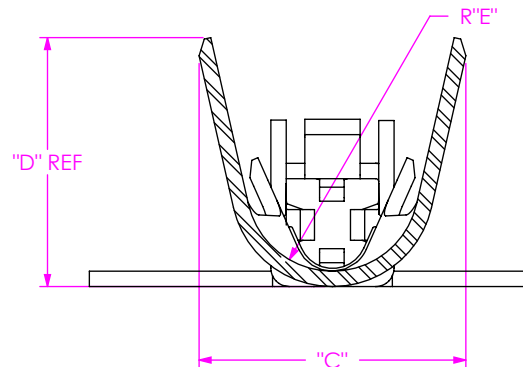


FIG 1
(CC81X-XXXX-01-X SHOWN)

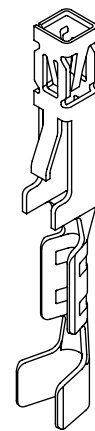
LEAD STYLE	"A"	"B"	"C"	"D"	"E"	"F"	"G"
-2426	1.36	1.04	2.21	2.06	0.71	0.63	0.28
-2830	1.03	0.87	1.37	1.45	0.36	0.35	0.18



SECTION "B"- "B"
SCALE 16 : 1



SECTION "A"- "A"
SCALE 16 : 1



NOTES:

1. PLATED C-281 PARTS TO BE PULLED, PLATING OPTION CONFIRMED, POSITIONED AS SHOWN ON SAMTEC REEL WITH VIEWPORTS, LABELED CC81R WITH APPROPRIATE PLATING CALLOUT AND LABEL PLACED AS SHOWN.
2. MAXIMUM No OF SPLICES PER REEL: 2.
3. SPLICES ARE NOT TO BE CONNECTED.
4. NUMBER OF SPLICES TO BE MARKED ON EACH REEL.
5. REELED PARTS TO BE INTERLEAVED WITH PAPER ILP-0.625-0.0012-XX-BR BETWEEN EACH LAYER OF PARTS.
6. ALLOWABLE INTERLEAF SPLICES PER REEL: 3.
7. SECURELY CONNECT INTERLEAF SPLICE.
8. OUTER WRAP SHALL RECEIVE PROTECTIVE REEL BAND PER BELOW: RB-24-0.62-P.
9. DUE TO PLATING REQUIREMENTS CONTACT SAMPLES MAY BE REMOVED INTERMITTINGLY FROM THE CARRIER RESULTING IN SMALL GAPS BUT DOES NOT AFFECT FINAL COUNT.
10. QTY PER REEL: 17,000 +/-15 PCS.
11. MAXIMUM THREE SECTIONS OF MISSING PINS PER REEL. A SECTION IS DEFINED AS MINIMUM 0.5" OR TWO PINS (WHICHEVER IS GREATER). SECTIONS GREATER THAN 3" WILL REQUIRE A SPLICE.

UNLESS OTHERWISE SPECIFIED,
DIMENSIONS ARE IN MILLIMETERS.
TOLERANCES ARE:
DECIMALS ANGLES

PROPRIETARY NOTE
THIS DOCUMENT CONTAINS CONFIDENTIAL AND PROPRIETARY INFORMATION AND ALL DESIGN, MANUFACTURING, REPRODUCTION, USE, PATENT RIGHTS AND SALES RIGHTS ARE EXPRESSLY RESERVED BY SAMTEC, INC. THIS DOCUMENT SHALL NOT BE DISCLOSED, IN WHOLE OR PART, TO ANY UNAUTHORIZED PERSON OR ENTITY NOR REPRODUCED, TRANSFERRED OR INCORPORATED IN ANY OTHER PROJECT IN ANY MANNER WITHOUT THE EXPRESS WRITTEN CONSENT OF SAMTEC, INC.

MATERIAL: DO NOT SCALE DRAWING
BeCu
THICKNESS: 0.127+/-0.008

SHEET SCALE: 8:1

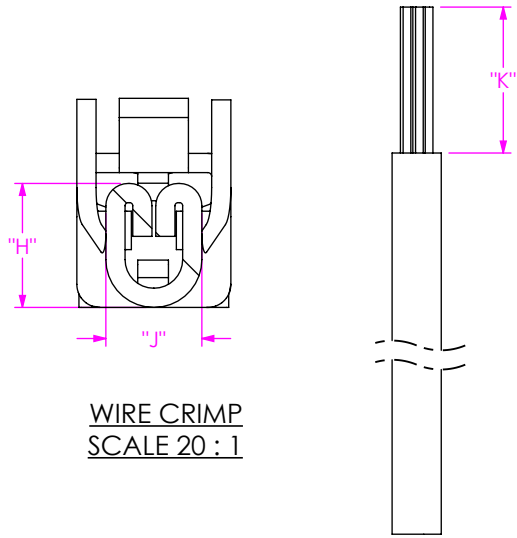
DESCRIPTION: 2mm C.L. DISCRETE WIRE CONTACT

DWG. NO. CC81X-XXXX-01-X

BY: J. BORGELT 3/16/09 SHEET 1 OF 2



520 PARK EAST BLVD, NEW ALBANY, IN 47150
PHONE: 812-944-6733 FAX: 812-948-5047
e-Mail info@SAMTEC.com code 55322



WIRE CRIMP
SCALE 20 : 1

INSULATOR STRIP LENGTH

P/N	AWG	STRANDS / AWG	INSULATION OD	"H"	"J"	"K"	"P" MAX (TAB LENGTH)	"Q" MAX (VESTIGE LENGTH)	PULL FORCE (LBS)
CC81X-2830-01-X	30	7/38	0.7366 - 0.889	.432	.838	3.180	.0075	.0010	1.5
	30TC	7/38	0.7366 - 0.889	.432	.838	3.180	.0075	.0010	1.5
	28	7/36	0.8128 - 0.9652	.457	.838	3.180	.0075	.0010	2
	28TC	7/36	0.8128 - 0.9652	.457	.838	3.180	.0075	.0010	2
CC81X-2426-01-X	26	7/34	1.2192 - 1.3716	.584	.889	3.180	.0075	.0010	3
	24TC	7/32	1.0414 - 1.1938	.711	.889	3.180	.0075	.0010	5
	24	7/32	1.3462-1.4986	.711	.889	3.180	.0075	.0010	5

FIG 2
RECOMMENDED PROCESSING

UNWINDING DIRECTION

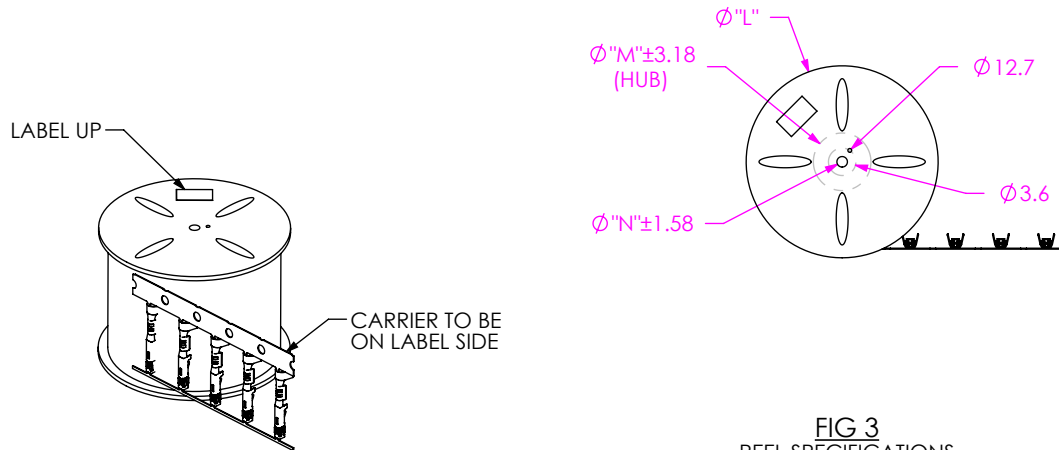


FIG 3
REEL SPECIFICATIONS

SUPPLIED	REEL PART NUMBER	"L"	"M"	"N"
-R	RL-24-08.00-0.625	609.6	203.20	28.58

PROPRIETARY NOTE
THIS DOCUMENT CONTAINS CONFIDENTIAL AND PROPRIETARY INFORMATION AND ALL DESIGN, MANUFACTURING, REPRODUCTION, USE, PATENT RIGHTS AND SALES RIGHTS ARE EXPRESSLY RESERVED BY SAMTEC, INC. THIS DOCUMENT SHALL NOT BE DISCLOSED, IN WHOLE OR PART, TO ANY UNAUTHORIZED PERSON OR ENTITY NOR REPRODUCED, TRANSFERRED OR INCORPORATED IN ANY OTHER PROJECT IN ANY MANNER WITHOUT THE EXPRESS WRITTEN CONSENT OF SAMTEC, INC.

DO NOT SCALE DRAWING

SHEET SCALE: 8:1



520 PARK EAST BLVD, NEW ALBANY, IN 47150
PHONE: 812-944-6733 FAX: 812-948-5047
e-Mail info@SAMTEC.com code 55322

DESCRIPTION: 2mm C.L. DISCRETE WIRE CONTACT

DWG. NO. CC81X-XXXX-01-X

BY: J. BORGELT 3/16/09 SHEET 2 OF 2