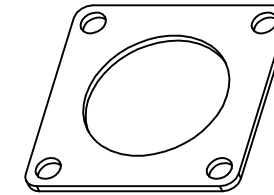
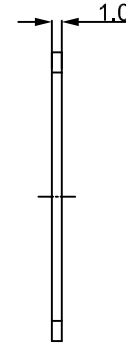
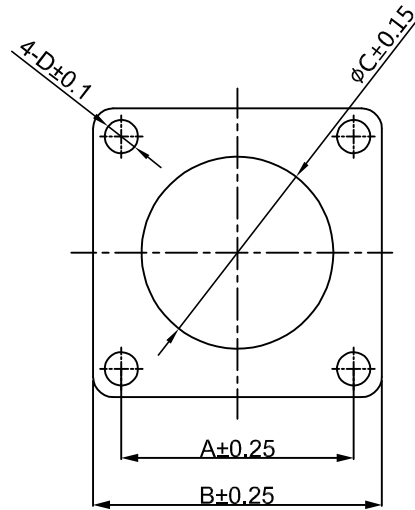


REVISIONS					
REV	ECO	DESCRIPTION	DATE	BY	APPR
B1	-	RELEASED DRAWING	JAN-18-2014	ARROW	TOMMY
B2	-	UPDATE DRAWING	APR-18-2017	FLAN	TOMMY
B3	-	UPDATE DRAWING	May.19.17	Regan	Tommy
B4	-	UPDATE TOLERANCE OF "D"	Jul.25.17	Nick	Tommy
B5	-	ADD PART NO. OF #8	May-8-2018	Flan	Tommy



PART NO:	SHELL	A	B	C	D
RTFD08B	08	15.3	20.6	12.0	3.2
RTFD10B	10	18.3	23.8	15.1	3.3
RTFD12B	12	20.6	26.8	19.1	3.3
RTFD14B	14	23.0	28.6	22.2	3.3
RTFD16B	16	24.6	31.0	25.4	3.3
RTFD18B	18	27.0	33.3	28.6	3.3
RTFD20B	20	29.4	36.5	31.8	4.3
RTFD22B	22	31.8	39.4	35.1	3.3
RTFD24B	24	34.9	42.5	38.1	4.3

NOTES:

- 1.MATERIAL : EPDM(BLACK). UL94 V-0
- 2.SEALING FOR WALL MOUNTING RECEPTACLES.
- 3.SUITABLE FOR RTG-RT0-RTOW-RTS0.

QUANTITY	PART NUMBER	DESCRIPTION	ITEM
<b>MATERIALS LIST</b>			
UNLESS OTHERWISE SPECIFIED 1) All dimensions are in metric (mm). 2) Tolerances are as follows: 1 PL DEC ±0.30 2 PL DEC ±0.15 3 PL DEC ±0.08 3) Note reference =		SIGNATURES DRAWN: Flan CHECKED: Tod ENGINEER: APPROVAL: Tommy MATERIAL SPECIFICATIONS: PROCESS SPECIFICATIONS: NEXT ASSY:	DATE May-8-2018 May-8-2018 May-8-2018
		<b>Amphenol</b> Sine Systems - www.amphenol-sine.com 44724 Morley Drive Clinton Township, MI 48036	
		<b>ECO-MATE GASKET RT 360 SERIES</b>	
		THIS DRAWING IS SUPPLIED FOR INFORMATION ONLY. DESIGN FEATURES, SPECIFICATIONS AND PERFORMANCE DATA SHOWN HEREON ARE THE PROPERTY OF THE AMPHENOL CORPORATION. NO RIGHTS OF REPRODUCTION ARE IMPLIED. ALL DIMENSIONS ARE SUBJECT TO NORMAL MANUFACTURING VARIATIONS.	REVISION <b>B5</b>
		SIZE <b>B C-</b>	DWG NO: <b>RTFDxxB</b>
		SCALE: <b>NONE</b>	SHEET <b>1</b> OF <b>1</b>

TITLE: ECO-MATE GASKET, RT 360 SERIES  
DWG NO: RTFDxxB  
REV: B5  
SH: 1  
OF: 1