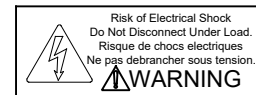
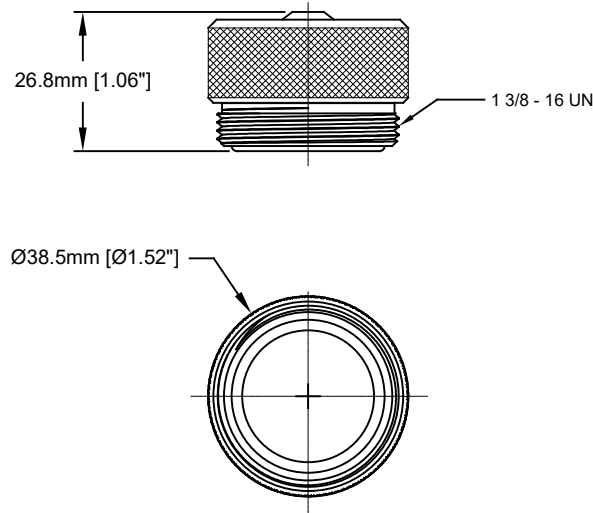


REVISIONS					
REV	ECO	DESCRIPTION	DATE	BY	APPR
A1	-	TECHNICAL DATA SHEET RELEASE	12-MAY-14	KMM	RFC



PART NUMBER		DESCRIPTION		ITEM
MATERIALS LIST				
UNLESS OTHERWISE SPECIFIED		SIGNATURES	DATE	<h1 style="text-align: center;">Amphenol</h1> <p style="text-align: center;">Sine Systems - www.amphenol-sine.com 44724 Morley Drive Clinton Township, MI 48036</p> <p style="text-align: center;">M35 PB LITE, CLOSURE CAP FOR FEMALE CONNECTOR, TRUNK</p>
1) All dimensions are in metric(mm).		DRAWN: KMM	12-MAY-14	
2) Tolerances are as follows:		CHECKED: MRF	12-MAY-14	
1 PL DEC ±0.30 Fractions ±1/64 2 PL DEC ±0.15 Angles ±1° 3 PL DEC ±0.08		ENGINEER: KMM		
3) Note reference =		APPROVAL: RFC	12-MAY-14	
MATERIAL SPECIFICATIONS:		CUSTOMER:		
PROCESS SPECIFICATIONS:		THIS DRAWING IS SUPPLIED FOR INFORMATION ONLY. DESIGN FEATURES, SPECIFICATIONS AND PERFORMANCE DATA SHOWN HEREON ARE THE PROPERTY OF THE AMPHENOL CORPORATION. NO RIGHTS OF REPRODUCTION ARE IMPLIED. ALL DIMENSIONS ARE SUBJECT TO NORMAL MANUFACTURING VARIATIONS.		
NEXT ASSY:		SIZE	TYPE	DWG NO.
			C-	P29043
		SCALE	FULL	SHEET 1 OF 1
				REVISION A1

TECHNICAL DATA:

- 1) MATERIALS:
HOUSING: MACHINED ALUMINUM, ANODIZED
- 2) RoHS COMPLIANT

TITLE: M35 PB LITE, CLOSURE CAP, FEMALE, TRUNK
 DWG NO.: C-P29043
 REV: A1
 SH: 1
 OF: 1