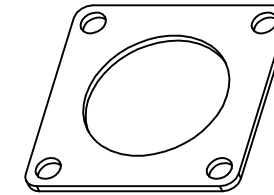
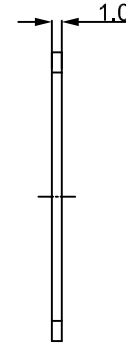
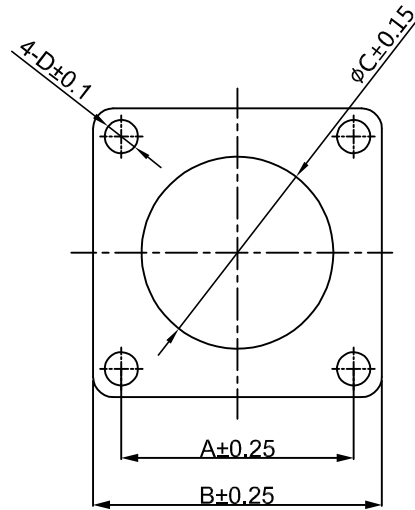


| REVISIONS |     |                         |             |       |       |
|-----------|-----|-------------------------|-------------|-------|-------|
| REV       | ECO | DESCRIPTION             | DATE        | BY    | APPR  |
| B1        | -   | RELEASED DRAWING        | JAN-18-2014 | ARROW | TOMMY |
| B2        | -   | UPDATE DRAWING          | APR-18-2017 | FLAN  | TOMMY |
| B3        | -   | UPDATE DRAWING          | May.19.17   | Regan | Tommy |
| B4        | -   | UPDATE TOLERANCE OF "D" | Jul.25.17   | Nick  | Tommy |
| B5        | -   | ADD PART NO. OF #8      | May-8-2018  | Flan  | Tommy |



| PART NO: | SHELL | A    | B    | C    | D   |
|----------|-------|------|------|------|-----|
| RTFD08B  | 08    | 15.3 | 20.6 | 12.0 | 3.2 |
| RTFD10B  | 10    | 18.3 | 23.8 | 15.1 | 3.3 |
| RTFD12B  | 12    | 20.6 | 26.8 | 19.1 | 3.3 |
| RTFD14B  | 14    | 23.0 | 28.6 | 22.2 | 3.3 |
| RTFD16B  | 16    | 24.6 | 31.0 | 25.4 | 3.3 |
| RTFD18B  | 18    | 27.0 | 33.3 | 28.6 | 3.3 |
| RTFD20B  | 20    | 29.4 | 36.5 | 31.8 | 4.3 |
| RTFD22B  | 22    | 31.8 | 39.4 | 35.1 | 3.3 |
| RTFD24B  | 24    | 34.9 | 42.5 | 38.1 | 4.3 |

NOTES:

- 1.MATERIAL : EPDM(BLACK). UL94 V-0
- 2.SEALING FOR WALL MOUNTING RECEPTACLES.
- 3.SUITABLE FOR RTG-RT0-RTOW-RTS0.

| QUANTITY                                                                                                                                                                          | PART NUMBER | DESCRIPTION                                                                                                                                                                                                                                                          | ITEM                                           |
|-----------------------------------------------------------------------------------------------------------------------------------------------------------------------------------|-------------|----------------------------------------------------------------------------------------------------------------------------------------------------------------------------------------------------------------------------------------------------------------------|------------------------------------------------|
| <b>MATERIALS LIST</b>                                                                                                                                                             |             |                                                                                                                                                                                                                                                                      |                                                |
| UNLESS OTHERWISE SPECIFIED<br>1) All dimensions are in metric (mm).<br>2) Tolerances are as follows:<br>1 PL DEC ±0.30<br>2 PL DEC ±0.15<br>3 PL DEC ±0.08<br>3) Note reference = |             | SIGNATURES<br>DRAWN: Flan<br>CHECKED: Tod<br>ENGINEER:<br>APPROVAL: Tommy                                                                                                                                                                                            | DATE<br>May-8-2018<br>May-8-2018<br>May-8-2018 |
| MATERIAL SPECIFICATIONS:                                                                                                                                                          |             | <br>Sine Systems - www.amphenol-sine.com<br>44724 Morley Drive<br>Clinton Township, MI 48036                                                                                                                                                                         |                                                |
| PROCESS SPECIFICATIONS:                                                                                                                                                           |             | ECO-MATE GASKET<br>RT 360 SERIES                                                                                                                                                                                                                                     |                                                |
| NEXT ASSY:                                                                                                                                                                        |             | THIS DRAWING IS SUPPLIED FOR INFORMATION ONLY. DESIGN FEATURES, SPECIFICATIONS AND PERFORMANCE DATA SHOWN HEREON ARE THE PROPERTY OF THE AMPHENOL CORPORATION. NO RIGHTS OF REPRODUCTION ARE IMPLIED. ALL DIMENSIONS ARE SUBJECT TO NORMAL MANUFACTURING VARIATIONS. | SIZE: B<br>TYPE: C-<br>SCALE: NONE             |
|                                                                                                                                                                                   |             | DWG NO: RTFDxxB                                                                                                                                                                                                                                                      | REVISION: B5                                   |
|                                                                                                                                                                                   |             | SHEET 1 OF 1                                                                                                                                                                                                                                                         |                                                |

TITLE: ECO-MATE GASKET, RT 360 SERIES  
 DWG NO: RTFDxxB  
 REV: B5  
 SH: 1  
 OF: 1