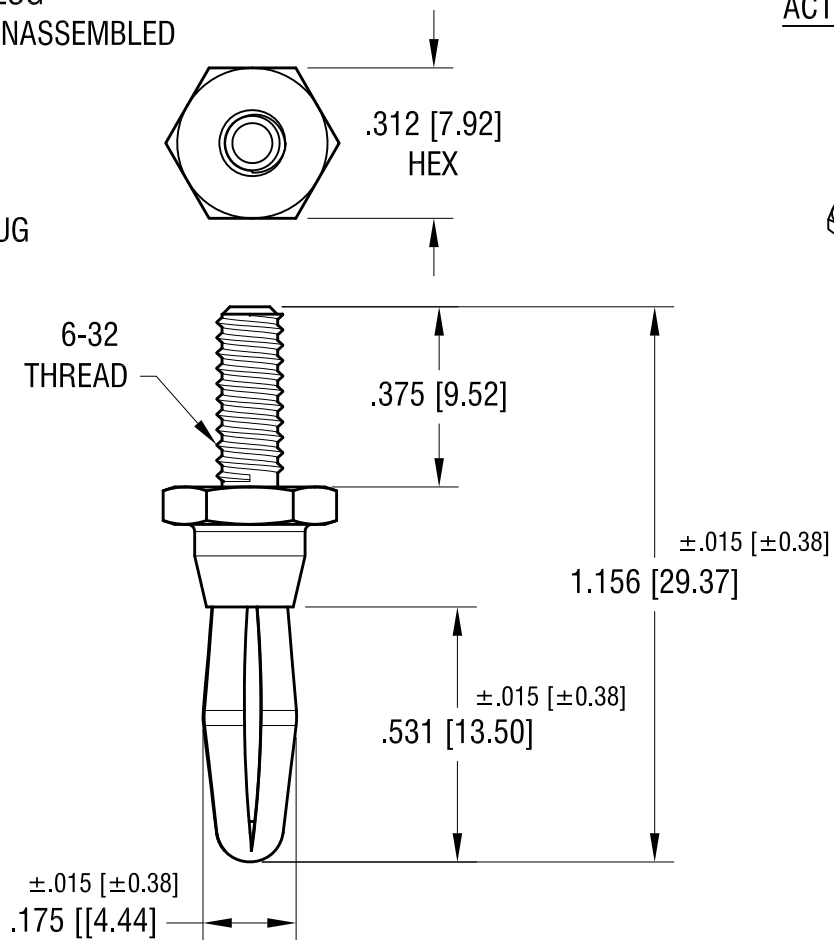
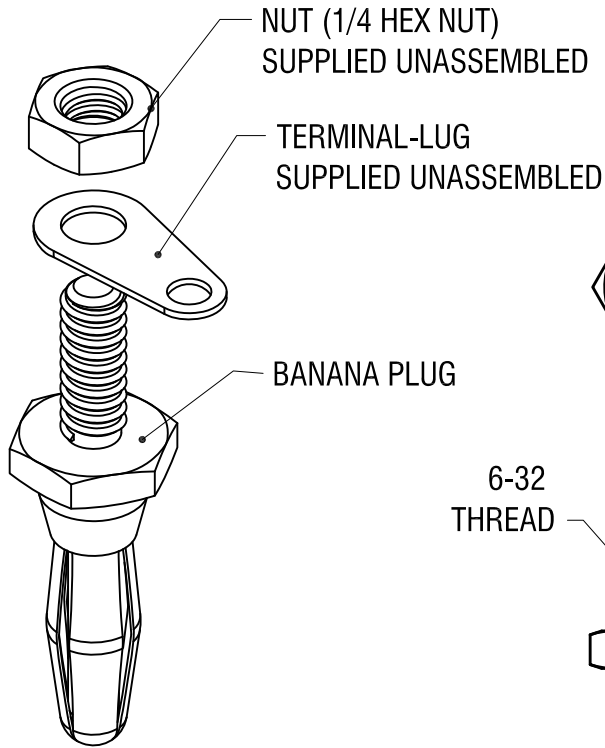
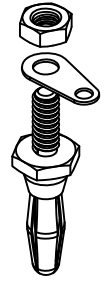


THIS DOCUMENT IS THE PROPERTY OF
KEYSTONE ELECTRONICS CORP. AND
SHALL NOT BE REPRODUCED, DISTRIBUTED
OR USED AS A BASIS FOR MANUFACTURE
WITHOUT PRIOR WRITTEN PERMISSION
FROM KEYSTONE ELECTRONICS CORP.



ACTUAL SIZE



NOTES:

1. SPRING: MAT'L - PHOSPHOR BRONZE, NICKEL PLATE
2. BODY: MAT'L - BRASS, NICKEL PLATE
3. TERMINAL LUG: MAT'L - BRASS, TIN PLATE
4. NUT: MAT'L - STEEL, ZINC PLATE

KEYSTONE ELECTRONICS CORP.			
www.keyelco.com • NEW HYDE PARK NY 11040 • Tel (516)328-7500			
PART NAME		BANANA PLUG	
MATERIAL		AS NOTED	
FINISH		DRN BY	DATE
AS NOTED		BOONE	12.17.82
		APP'D	SCALE
		MR	2.5X
TOLERANCES	INCH [MM]	CODE	DWG NO.
DECIMAL	± .005 [± 0.13]	C	6074-1
ANGULAR	± 1°		
UNLESS OTHERWISE SPECIFIED			

6.04.07	CHANGE AS PER ECN 07-030	D
DATE	DESCRIPTION	REV.