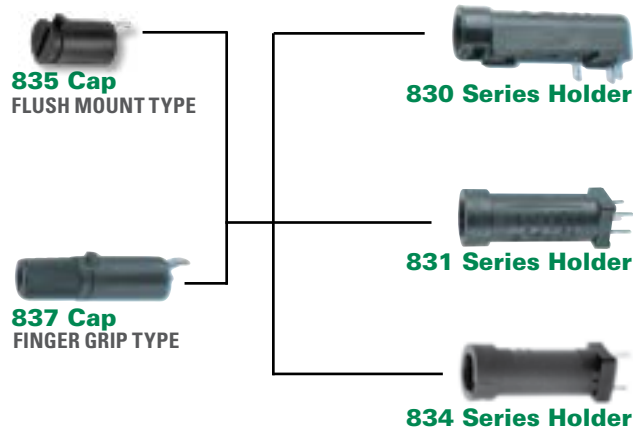
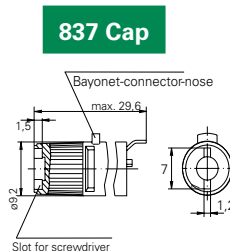
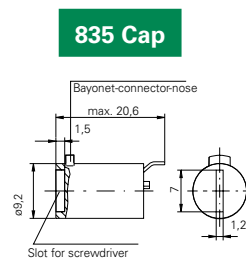
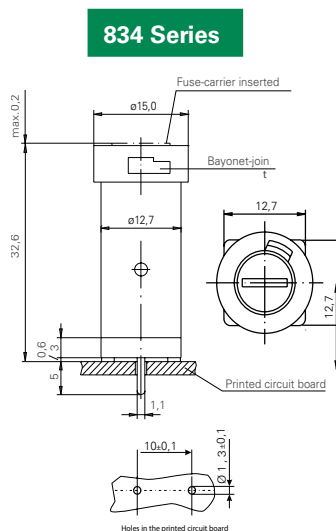
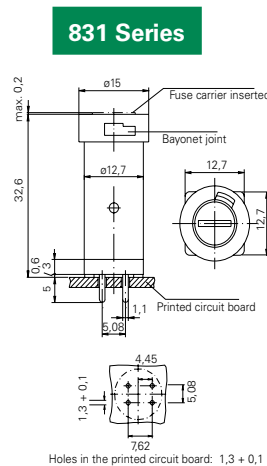
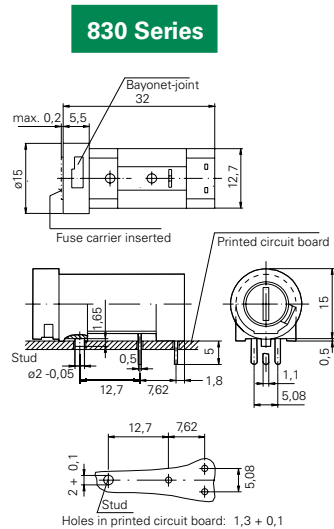


830/831/834 Series Circuit Board Mount Enclosed Fuseholders



**Product Dimensions (mm)**






**Product Characteristics**

	830 Series	831 Series	834 Series
<b>Compatible Fuse Types</b>	5x20 mm		
<b>Materials</b>	<b>Holder/Cap:</b> Black Thermoplastic, UL94 V-0 <b>Metal Parts:</b> Copper alloy, corrosion protected <b>Terminals:</b> Solderable, tinned		
<b>Electrical Data (23 °C)</b>	<b>Rated Voltage:</b> 250 V <b>Rated Current:</b> 6.3 A (VDE) 16 A (UL/CSA)		
<b>Rated Power:</b>	1.6 W (VDE)	2.5 W (VDE)	2.5 W
<b>Mounting</b>	(3) Solder pins 0.5 mm×1.1 mm and plastic stud. The pins spaced at 5.08 mm form a common connection.	(4) Solder pins 0.5 mm×1.1 mm The pins spaced at 5.08 mm form a common connection.	(2) Solder pins 0.5 mm×1.1 mm
<b>Ingress Protection and Category</b>	IP 40 (IEC 60529) PC2 (IEC 60127-6)		
<b>Operating Temperature*</b>	-25 °C to 70 °C		
<b>Climatic Test</b>	-25 °C/+70 °C/21 days (IEC 60068-2-1...3)		
<b>Stock Conditions</b>	+10 °C to +60 °C relative humidity ≤ 75% yearly average, without dew, maximum value for 30 days - 95%		
<b>Vibration Resistance</b>	24 cycles at 15 min. each (IEC 60068-2-6) 10–60 Hz at 0.75 mm amplitude 60–2000 Hz at 10g acceleration		
<b>Contact Resistance</b>	≤ 5 mΩ		
<b>Dielectric Strength</b>	> 1.5 kV		
<b>Impulse Voltage</b>	4 kV, 50 Hz, 1 min., dry		4 kV with 1,2 μs/50 μs
<b>Insulation Resistance</b>	> 10 <sup>3</sup> MΩ (500 VDC, 1 min.)		
<b>Solderability</b>	235 °C, 3 sec. (Wave) 350 °C, 1 sec. (Soldering Iron)		235 °C, 2 sec. (Soldering bath) (IEC 60068-2-20) 350 °C, 3 sec. (Soldering Iron) (IEC 60068-2-20)
<b>Soldering Heat Resistance</b>	260 °C, 5 sec. (IEC 60068-2-20)		260 °C, 5 sec. (Soldering bath) (IEC 60068-2-20)
<b>Minimum Cross Section</b>	Conducting path - 0.2mm <sup>2</sup>		
<b>Marking</b>	830, 250 V, Approvals	831, 250 V, Approvals	834, 250 V, Approvals
<b>Unit Weight</b>	4.4 g (Holder) / 1.6 g (835) / 2.2 g (837)	4.1 g (Holder) / 1.6 g (835) / 2.2 g (837)	3.5 g (834)/1,6 g (835)/2,2 g (837)

\* Refer to [Fuseology](#) for information on proper fuseholder re-rating.

## Agency Approval

Agency	Agency File/Certificate Number		
	830 Series	831 Series	834 Series
	120623	123441	6913
	E70164		
	47574		

## Ordering Information

Ordering PN	Description	Packaging
Fuseholder		
83000000005	ACS 5x20 mm Fuseholder 830 Series for 250 V	Bulk/100 pcs
83100000005	ACS 5x20 mm Fuseholder 831 Series for 250 V	Bulk/100 pcs
83400000005	ACS 5x20 mm Fuseholder 834 Series for 250 V	Bulk/100 pcs
Fuseholder Cap		
83500000005	ACS 5x20 mm Fuseholder CAP 835 Series	Bulk/100 pcs
83700000005	ACS 5x20 mm Fuseholder CAP 837 Series	Bulk/100 pcs

## Additional Information



**Datasheet**  
830 Series



**Datasheet**  
831 Series



**Datasheet**  
834 Series



**Resources**  
830 Series



**Resources**  
831 Series



**Resources**  
834 Series



**Samples**  
830 Series



**Samples**  
831 Series



**Samples**  
834 Series