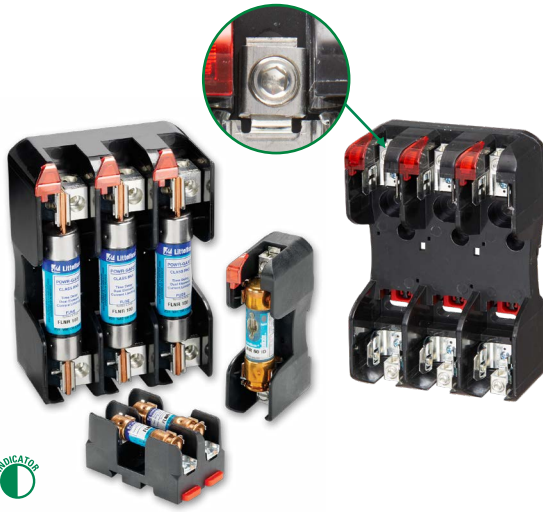


POWR-GARD® Blocks and Holders Datasheet

LF SERIES CLASS H/K5 AND R FUSE BLOCKS

250 V • 600 V



Description

The Littelfuse Class H/K5 and R blocks offer many benefits such as indication, snap-to-release DIN rail mounting and mounting flexibility for easier installation. Class H and Class R fuse blocks are dimensionally the same, but Class R blocks incorporate a rejection feature, which only allows Class R fuses to be inserted.

Features/Benefits

- Accommodates a wide range of existing mounting configurations
- Indication offered on most 250 V and 600 V versions
- One hand release from DIN rail for ferrule style fuses
- Reinforced fuse clips are standard on all Class H and Class R fuse blocks
- Covers available for 100 A and lower to enhance safety
- Both hex and slot set screw options available on 60 Ampere, 600 Volt Class R box lugs

Specifications

Voltage Rating	250 V, 600 V
Ampere Ratings	0–600 A
Leakage Current	<0.6 mA at 600 V
Withstand Rating	Class H: 10 kA RMS SYM Class R: 200 kA RMS SYM

Materials:

Base	Thermoplastic
Fuse Clip	Tin plated copper alloy
Box Lug	Aluminum
Pressure Plate	Zinc plated steel
Screw	Zinc plated steel
Flammability Rating	UL94 V-0
Approvals	UL Listed (File: E14721) CSA Certified (File: LR7316) RoHS Compliant, Lead (Pb) Free
Environmental	

Recommended Fuses

Class H/K5 Blocks – 250 V

NLN

Class R Blocks – 250 V

FLNR/FLNR_ID, KLNK, LLNRK

Class H/K5 Blocks – 600 V

NLS

Class R Blocks – 600 V

FLSR/FLSR_ID, KLSR, LLSRK/LLSRK_ID, IDSR

Web Resources

Sample requests, downloadable CAD drawings and other technical information:

Littelfuse.com/lfh

Littelfuse.com/lfr

POWR-GARD® Blocks and Holders Datasheet

LF SERIES CLASS H/K5 AND R FUSE BLOCKS

Ordering Information (Class H 250 V)

AMP RATING	ORDERING NUMBER					INDICATION	TORQUE	WIRE RANGE	WIRE TYPE	BASE TEMP RATING	DIN RAIL	COVER ORDERING NUMBER *
	POLES	BOX LUG HEX SCREW	BOX LUG SLOT SCREW	PRESSURE PLATE	SCREW							
30	1	—	LFH250301C	LFH250301P	LFH250301S	—	2.8 N-m (25 in-lbs)	BOX LUG 6–14 AWG PRESSURE PLATE 10–14 AWG SCREW 10–22 AWG	CU only	125 °C	•	LFH25030FBC
	2	—	LFH250302C	LFH250302P	LFH250302S	—						
	3	—	LFH250303C	LFH250303P	LFH250303S	—						
60	1	—	LFH250601CID	—	—	•	5.6 N-m (50 in-lbs) 2.8 N-m (25 in-lbs)	2–4 AWG 6–14 AWG	CU-AL	125 °C	•	LFH25060FBC
		—	LFH250601C	—	—	—						
	2	—	LFH250602CID	—	—	•						
		—	LFH250602C	—	—	—						
		—	LFH250603CID	—	—	•						
3	—	LFH250603C	—	—	—							
100	1	LFH251001CID	—	—	—	•	13.6 N-m (120 in-lbs) 4.5 N-m (40 in-lbs) 4.0 N-m (35 in-lbs)	2/0–6 AWG 8 AWG 10–14 AWG	CU-AL	130 °C	—	LFH25100FBC
		—	LFH251001C	—	—	—						
	3	—	LFH251003CID	—	—	•						
		—	LFH251003C	—	—	—						
200	1	LFH252001C	—	—	—	—	31.1 N-m (275 in-lbs)	250 kcmil-6	CU-AL	130 °C	—	—
	3	LFH252003C	—	—	—	—						
400	1	LFH254001C	—	—	—	—	31.1 N-m (275 in-lbs)	(2) 350 kcmil-1/0	CU-AL	130 °C	—	—
	3	LFH254003C	—	—	—	—						
600	1	LFH256001C	—	—	—	—	42.4 N-m (375 in-lbs)	(2) 500 kcmil-4	CU-AL	130 °C	—	—
	3	LFH256003C	—	—	—	—						

Note: Reinforcing springs standard on all Class H fuse blocks.
*Covers sold individually. One cover needed for each pole.

Ordering Information (Class H 600 V)

AMP RATING	ORDERING NUMBER					INDICATION	TORQUE	WIRE RANGE	WIRE TYPE	BASE TEMP RATING	DIN RAIL	COVER ORDERING NUMBER *
	POLES	BOX LUG HEX SCREW	BOX LUG SLOT SCREW	PRESSURE PLATE	SCREW							
30	1	—	LFH600301CID	LFH600301PID	LFH600301SID	•	2.8 N-m (25 in-lbs)	BOX LUG 6–14 AWG PRESSURE PLATE 10–14 AWG SCREW 10–22 AWG	CU only	130 °C	•	LFH60030FBC
		—	LFH600301C	LFH600301P	LFH600301S	—						
	2	—	LFH600302CID	LFH600302PID	LFH600302SID	•						
		—	LFH600302C	LFH600302P	LFH600302S	—						
	3	—	LFH600303CID	LFH600303PID	LFH600303SID	•						
		—	LFH600303C	LFH600303P	LFH600303S	—						
60	1	—	LFH600601CID	—	—	•	5.6 N-m (50 in-lbs) 2.8 N-m (25 in-lbs)	2–4 AWG 6–14 AWG	CU-AL	130 °C	•	LFH60060FBC
		—	LFH600601C	—	—	—						
	2	—	LFH600602CID	—	—	•						
		—	LFH600602C	—	—	—						
		—	LFH600603CID	—	—	•						
3	—	LFH600603C	—	—	—							
100	1	LFH601001CID	—	—	—	•	13.6 N-m (120 in-lbs) 4.5 N-m (40 in-lbs) 4.0 N-m (35 in-lbs)	2/0–6 AWG 8 AWG 10–14 AWG	CU-AL	130 °C	—	LFH60100FBC
		—	LFH601001C	—	—	—						
	3	—	LFH601003CID	—	—	•						
		—	LFH601003C	—	—	—						
200	1	LFH602001C	—	—	—	—	31.1 N-m (275 in-lbs)	250 kcmil-6	CU-AL	130 °C	—	—
	3	LFH602003C	—	—	—	—						
400	1	LFH604001C	—	—	—	—	31.1 N-m (275 in-lbs)	(2) 350 kcmil-1/0	CU-AL	130 °C	—	—
	3	LFH604003C	—	—	—	—						
600	1	LFH606001C	—	—	—	—	42.4 N-m (375 in-lbs)	(2) 500 kcmil-4	CU-AL	130 °C	—	—
	3	LFH606003C	—	—	—	—						

Note: Reinforcing springs standard on all Class H fuse blocks.
*Covers sold individually. One cover needed for each pole.

POWR-GARD® Blocks and Holders Datasheet

LF SERIES CLASS H/K5 AND R FUSE BLOCKS

Ordering Information (Class R 250 V)

AMP RATING	ORDERING NUMBER					INDICATION	TORQUE	WIRE RANGE	WIRE TYPE	BASE TEMP RATING	DIN RAIL	COVER ORDERING NUMBER *
	POLES	BOX LUG HEX SCREW	BOX LUG SLOT SCREW	PRESSURE PLATE	SCREW							
30	1	—	LFR250301C	LFR250301P	LFR250301S	—	2.8 N-m (25 in-lbs)	BOX LUG 6–14 AWG PRESSURE PLATE 10–14 AWG SCREW 10–22 AWG	CU only	125 °C	•	LFH25030FBC
	2	—	LFR250302C	LFR250302P	LFR250302S	—						
	3	—	LFR250303C	LFR250303P	LFR250303S	—						
60	1	—	LFR250601CID	—	—	•	5.6 N-m (50 in-lbs) 2.8 N-m (25 in-lbs)	2–4 AWG 6–14 AWG	CU-AL	125 °C	•	LFH25060FBC
		—	LFR250601C	—	—	—						
	2	—	LFR250602CID	—	—	•						
		—	LFR250602C	—	—	—						
3	—	LFR250603CID	—	—	•							
	—	LFR250603C	—	—	—							
100	1	LFR251003CID	—	—	—	•	13.6 N-m (120 in-lbs) 4.5 N-m (40 in-lbs) 4.0 N-m (35 in-lbs)	2/0–6 AWG 8 AWG 10–14 AWG	CU-AL	130 °C	—	LFH25100FBC
		LFR251003C	—	—	—	—						
	3	LFR251001CID	—	—	—	•						
LFR251001C		—	—	—	—							
200	1	LFR252001C	—	—	—	—	31.1 N-m (275 in-lbs)	250 kcmil-6	CU-AL	130 °C	—	—
	3	LFR252003C	—	—	—	—						
400	1	LFR254001C	—	—	—	—	31.1 N-m (275 in-lbs)	(2) 350 kcmil-1/0	CU-AL	130 °C	—	—
	3	LFR254003C	—	—	—	—						
600	1	LFR256001C	—	—	—	—	42.4 N-m (375 in-lbs)	(2) 500 kcmil-4	CU-AL	130 °C	—	—
	3	LFR256003C	—	—	—	—						

Note: Reinforcing springs standard on all Class H fuse blocks.

*Covers sold individually. One cover needed for each pole.

Ordering Information (Class R 600 V)

AMP RATING	ORDERING NUMBER					INDICATION	TORQUE	WIRE RANGE	WIRE TYPE	BASE TEMP RATING	DIN RAIL	COVER ORDERING NUMBER *
	POLES	BOX LUG HEX SCREW	BOX LUG SLOT SCREW	PRESSURE PLATE	SCREW							
30	1	—	LFR600301CID	LFR600301PID	LFR600301SID	•	2.8 N-m (25 in-lbs)	BOX LUG 6–14 AWG PRESSURE PLATE 10–14 AWG SCREW 10–22 AWG	CU only	130 °C	•	LFH60030FBC
		—	LFR600301C	LFR600301P	LFR600301S	—						
	2	—	LFR600302CID	LFR600302PID	LFR600302SID	•						
		—	LFR600302C	LFR600302P	LFR600302S	—						
3	—	LFR600303CID	LFR600303PID	LFR600303SID	•							
	—	LFR600303C	LFR600303P	LFR600303S	—							
60	1	LFR600601CID-HX	LFR600601CID	—	—	•	5.6 N-m (50 in-lbs) 2.8 N-m (25 in-lbs)	2–4 AWG 6–14 AWG	CU-AL	130 °C	•	LFH60060FBC
		-	LFR600601C	—	—	—						
	2	LFR600602CID-HX	LFR600602CID	—	—	•						
		-	LFR600602C	—	—	—						
3	LFR600603CID-HX	LFR600603CID	—	—	•							
	-	LFR600603C	—	—	—							
100	1	LFR601001CID	—	—	—	•	13.6 N-m (120 in-lbs) 4.5 N-m (40 in-lbs) 4.0 N-m (35 in-lbs)	2/0–6 AWG 8 AWG 10–14 AWG	CU-AL	130 °C	—	LFH60100FBC
		LFR601001C	—	—	—	—						
	3	LFR601003CID	—	—	—	•						
		LFR601003C	—	—	—	—						
200	1	LFR602001C	—	—	—	—	31.1 N-m (275 in-lbs)	250 kcmil-6	CU-AL	130 °C	—	—
	3	LFR602003C	—	—	—	—						
400	1	LFR604001C	—	—	—	—	31.1 N-m (275 in-lbs)	(2) 350 kcmil-1/0	CU-AL	130 °C	—	—
	3	LFR604003C	—	—	—	—						
600	1	LFR606001C	—	—	—	—	42.4 N-m (375 in-lbs)	(2) 500 kcmil-4	CU-AL	130 °C	—	—
	3	LFR606003C	—	—	—	—						

Note: Reinforcing springs standard on all Class H fuse blocks.

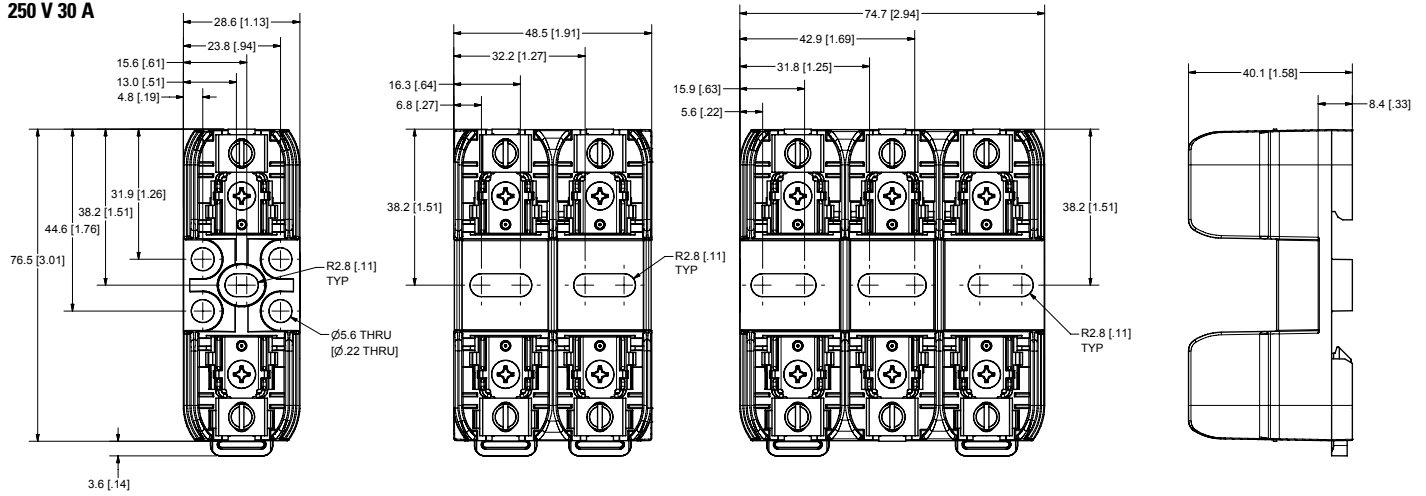
*Covers sold individually. One cover needed for each pole.

POWR-GARD® Blocks and Holders Datasheet

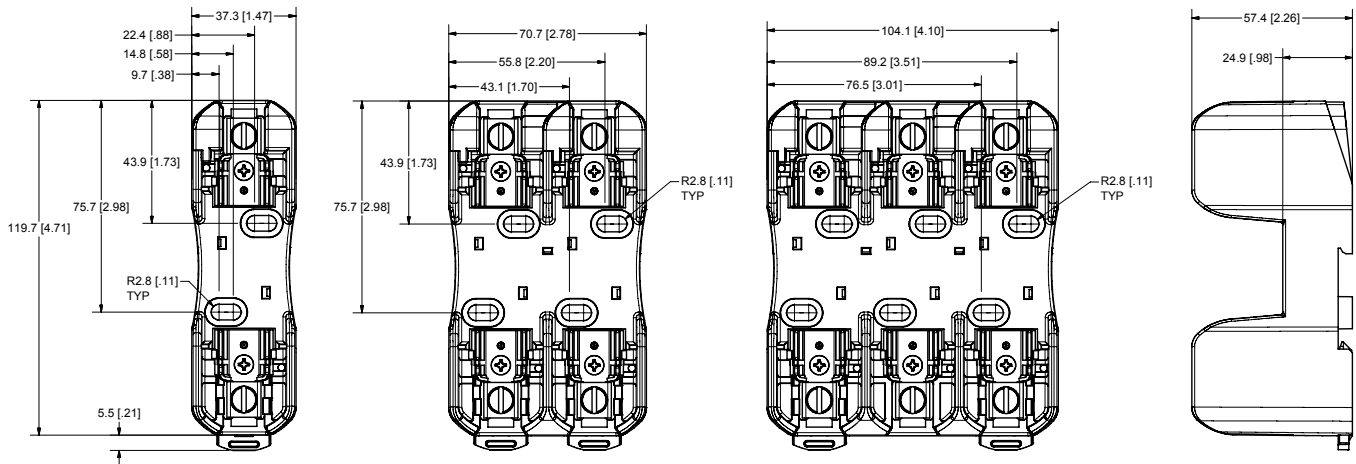
LF SERIES CLASS H/K5 AND R FUSE BLOCKS

Dimensions mm (inches)

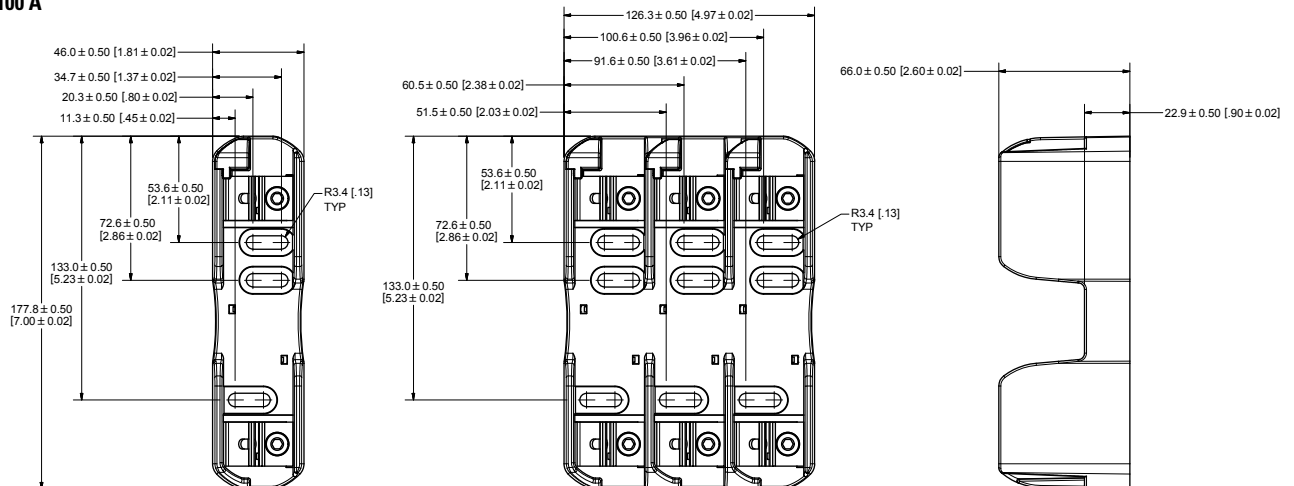
250 V 30 A



250 V 60 A



250 V 100 A

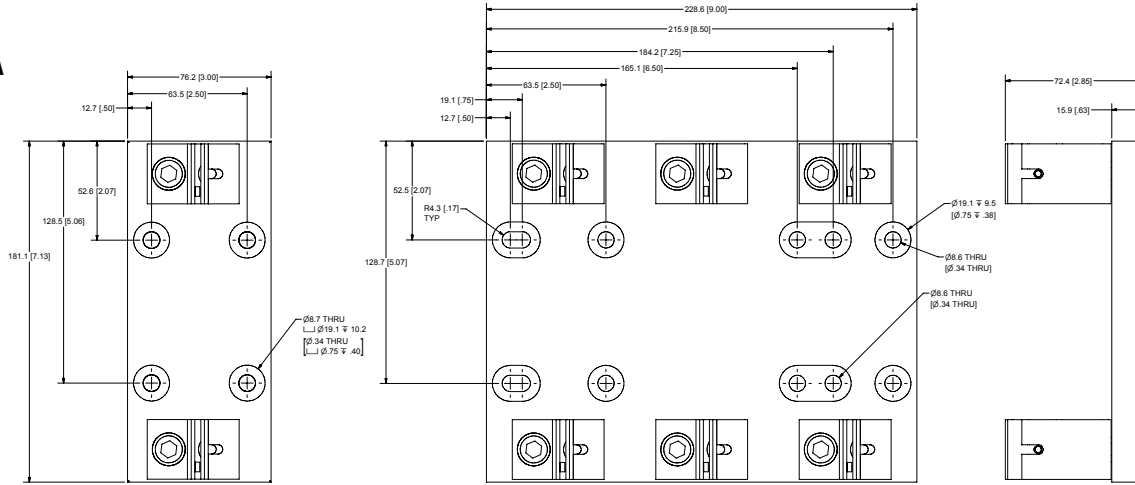


POWR-GARD® Blocks and Holders Datasheet

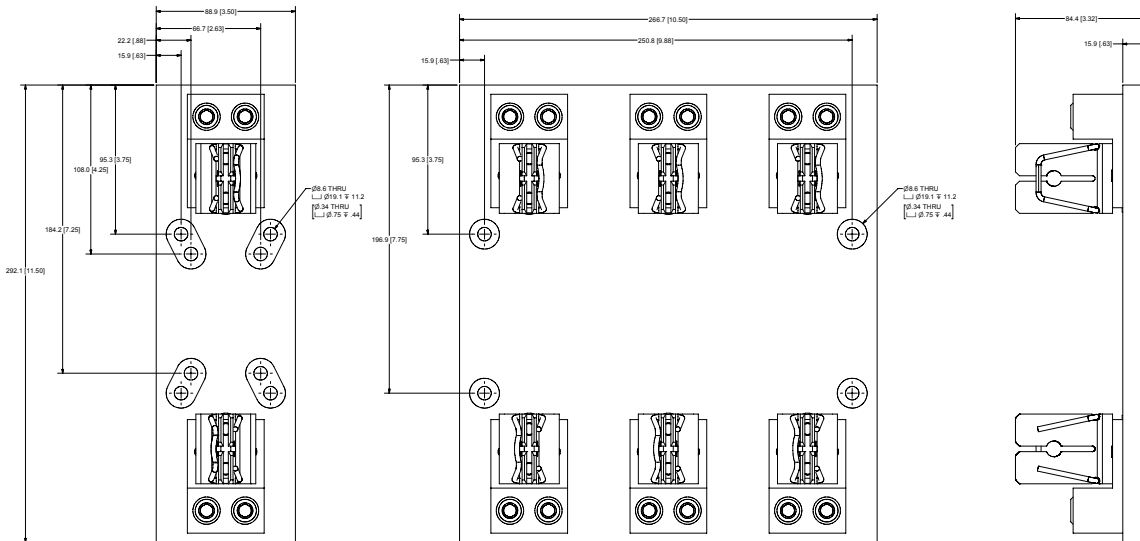
LF SERIES CLASS H/K5 AND R FUSE BLOCKS

Dimensions mm (inches)

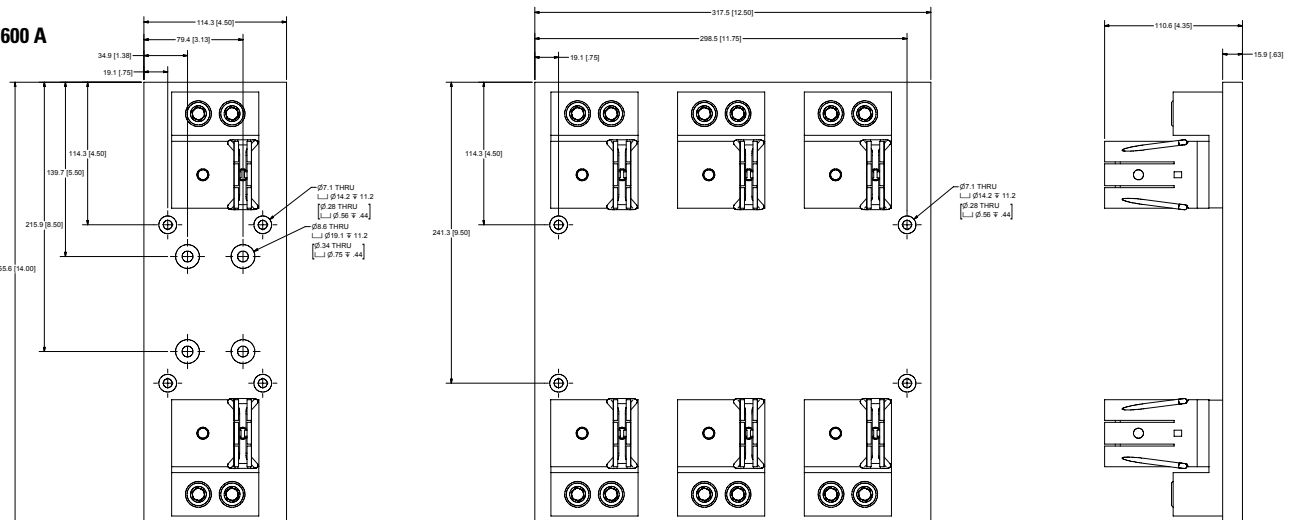
250 V 200 A



250 V 400 A



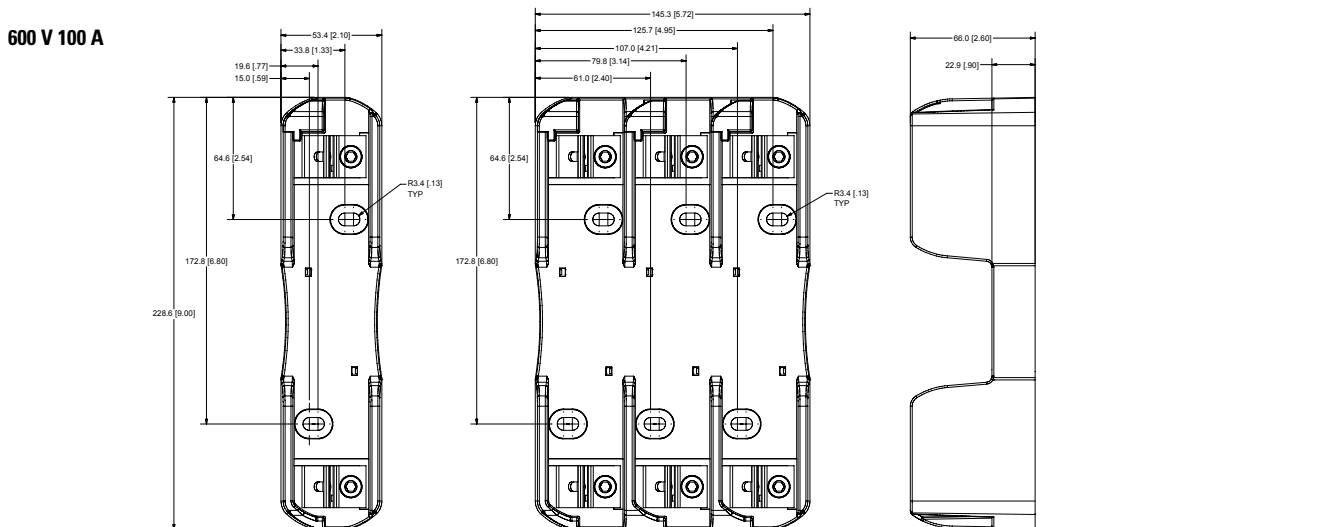
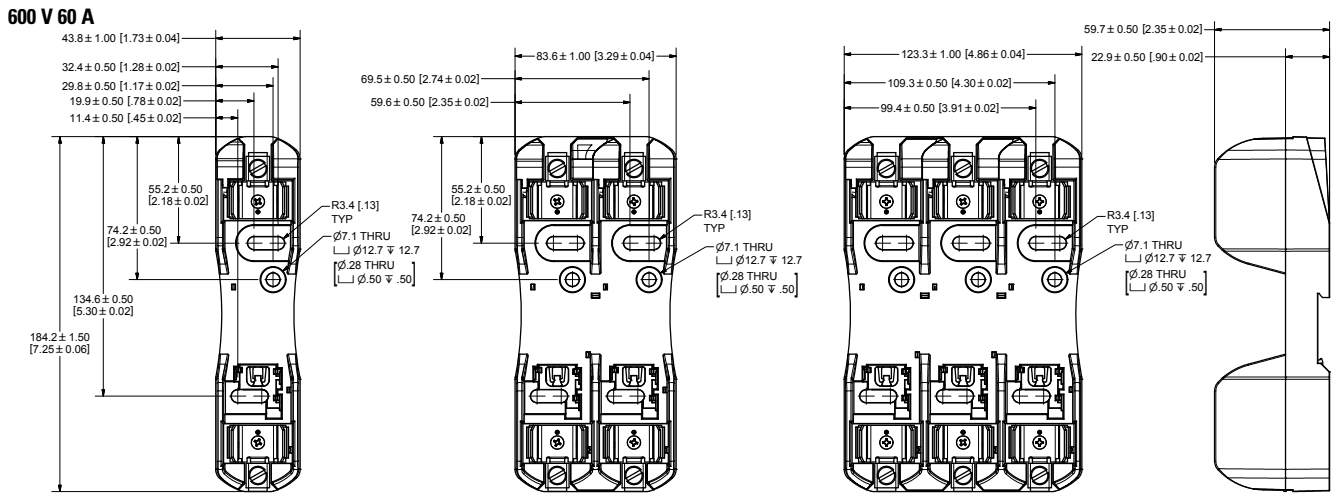
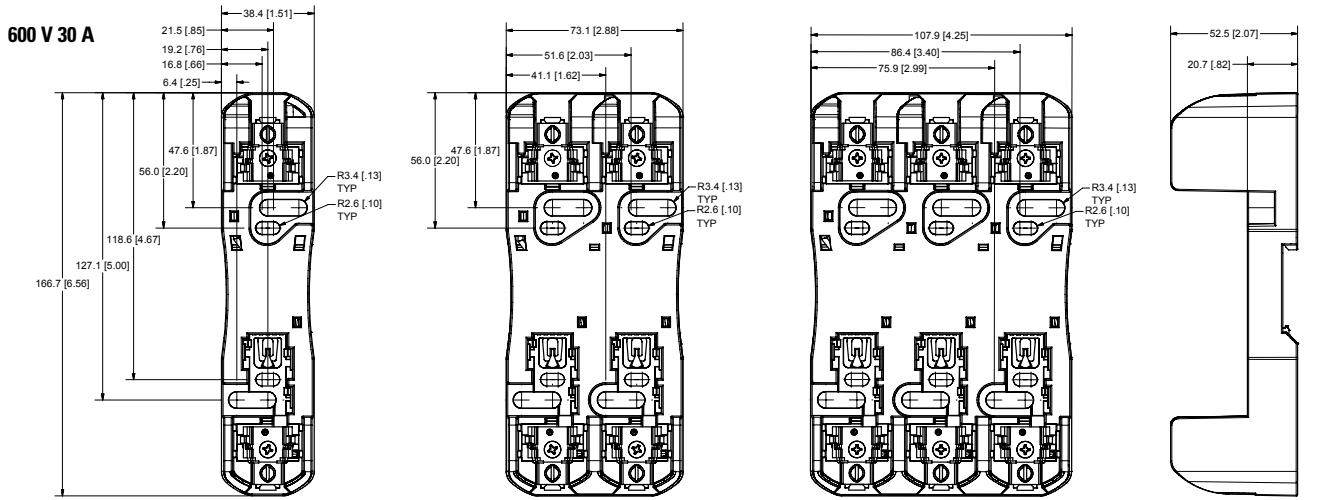
250 V 600 A



POWR-GARD® Blocks and Holders Datasheet

LF SERIES CLASS H/K5 AND R FUSE BLOCKS

Dimensions mm (inches)

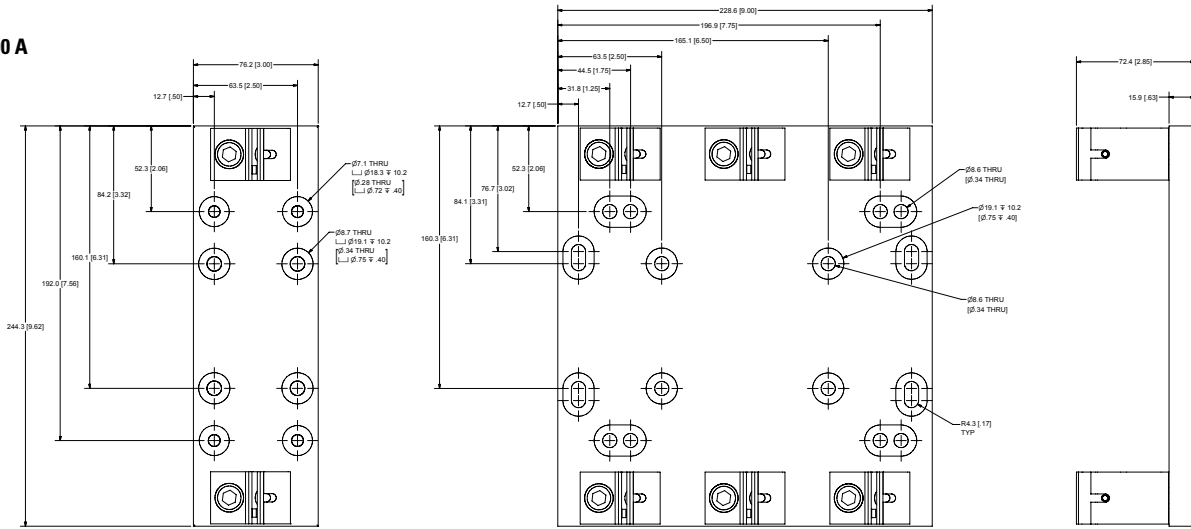


POWR-GARD® Blocks and Holders Datasheet

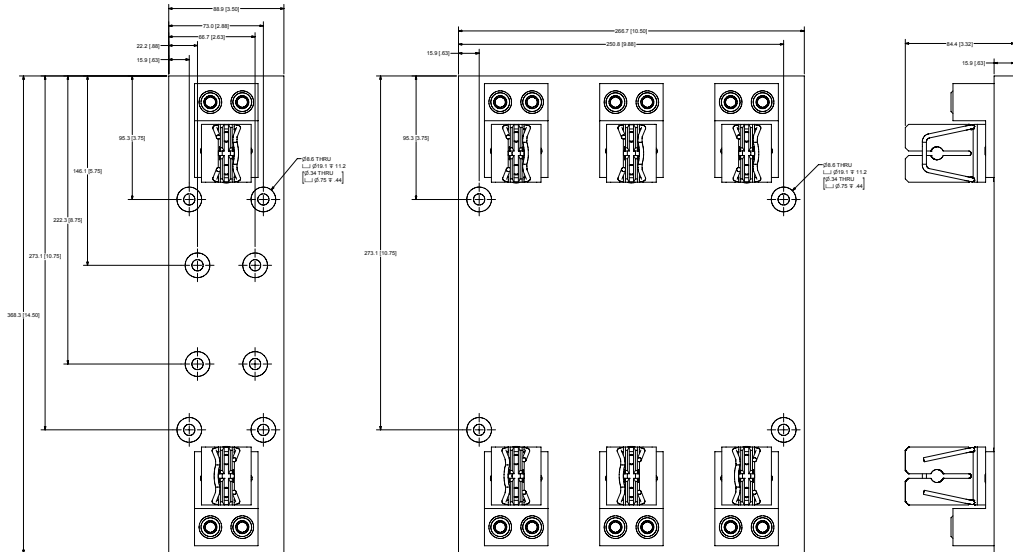
LF SERIES CLASS H/K5 AND R FUSE BLOCKS

Dimensions mm (inches)

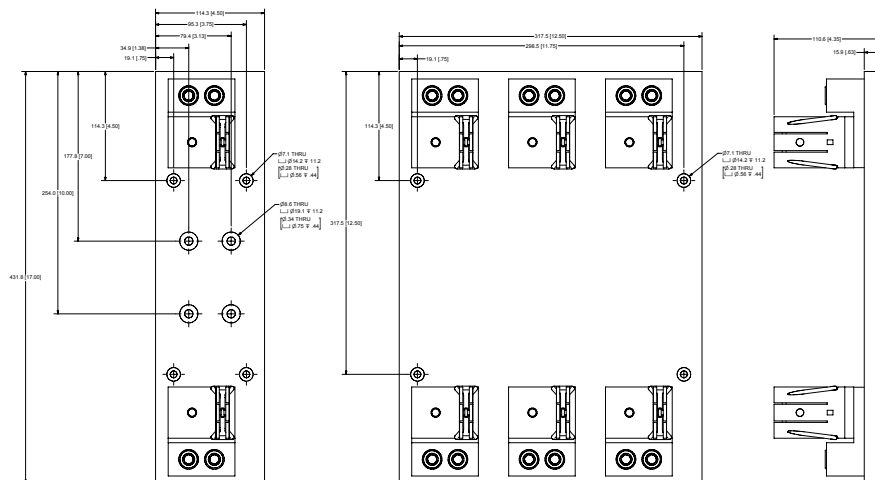
600 V 200 A



600 V 400 A



600 V 600 A



Disclaimer Notice – Information furnished is believed to be accurate and reliable. However, users should independently evaluate the suitability of and test each product selected for their own applications. Littelfuse products are not designed for, and may not be used in, all applications. Read complete Disclaimer Notice at www.littelfuse.com/product-disclaimer.