

1AXXXX

PCB Fuse-clips for 1/4", 5.0 mm, 13/32" diameter fuses
and ATC/ATM blade fuses



Product features

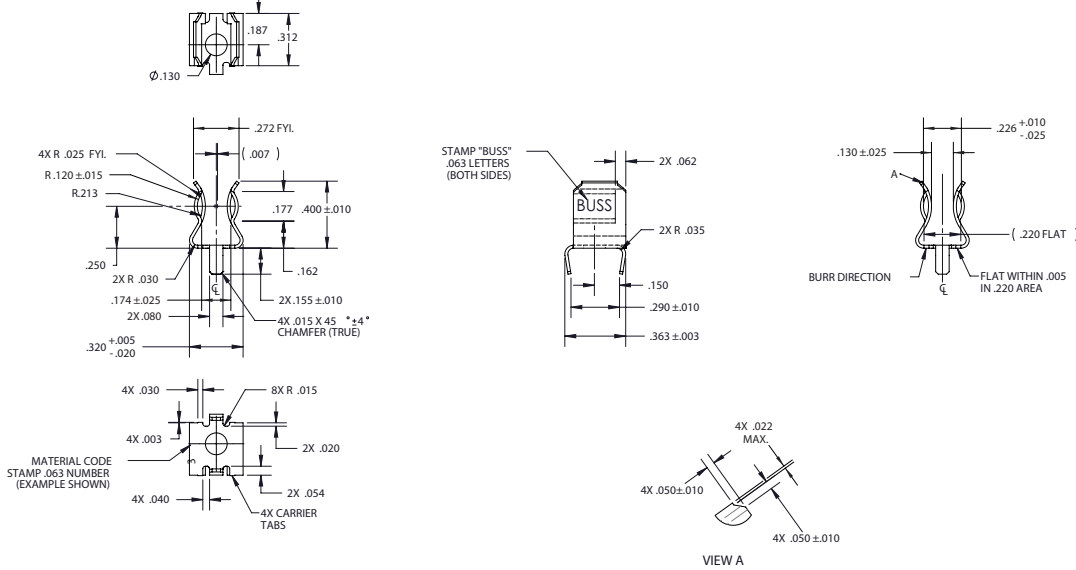
- Fuse clips for 1/4", 5.0 mm and 13/32" (10 mm) diameter fuses
- Fuse clips for ATM/ATC fuses
- Variety of sizes, options, and materials

Clips for 1/4" diameter fuses- inches

1A1119 (End stops, angled-in leads)

Part number	Clip material	Clip finish
BK-1A1119-04-R	Copper clad steel	Bright tin
BK-1A1119-05	Copper clad steel	Silver
BK-1A1119-10-R	Cartridge brass	Bright tin

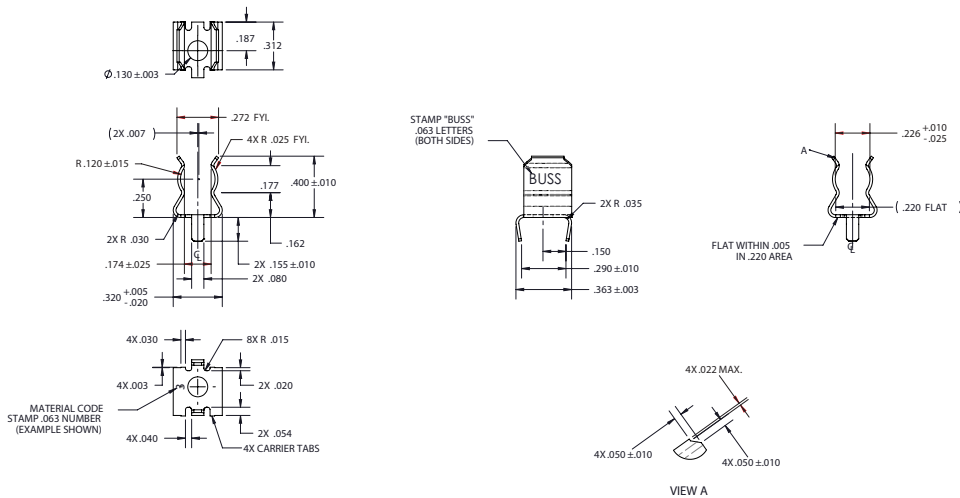
Parts packaged 1000 parts in a bag



1A1120 (Without end stops, angled-in leads)

Part number	Clip material	Clip finish
BK-1A1120-05	Copper clad steel	Silver
BK-1A1120-06-R	Copper clad steel	Bright tin
BK-1A1120-09-R	Cartridge brass	Bright tin

Parts packaged 1000 parts in a bag

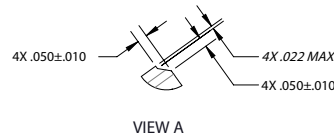
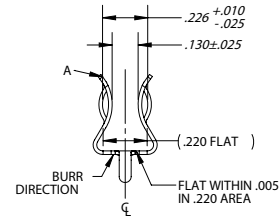
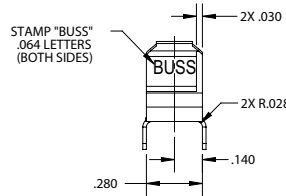
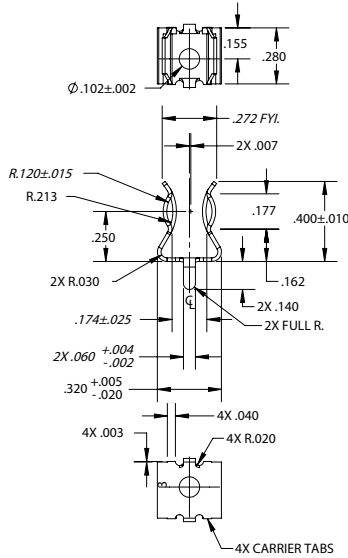


Clips for 1/4" diameter fuses- inches

1A1907 (End stops, straight leads)

Part number	Clip material	Clip finish
BK-1A1907-02-R	Cartridge brass	Burnish
BK-1A1907-03-R	High performance copper	Bright tin
BK-1A1907-05	High performance copper	Silver
BK-1A1907-06-R	Cartridge brass	Bright tin

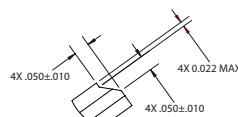
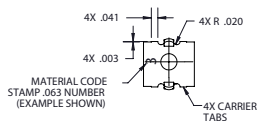
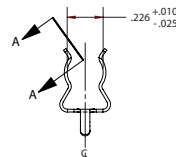
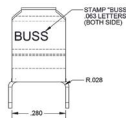
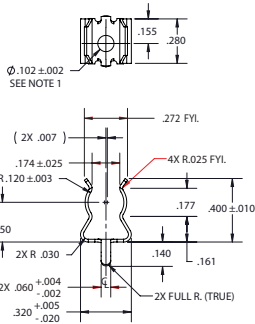
Parts packaged 1000 parts in a bag
UL recognized file E14853



1A3398 (Without end stops, straight leads)

Part number	Clip material	Clip finish
BK-1A3398-07-R	Cartridge brass	Bright tin

Parts packaged 1000 parts in a bag

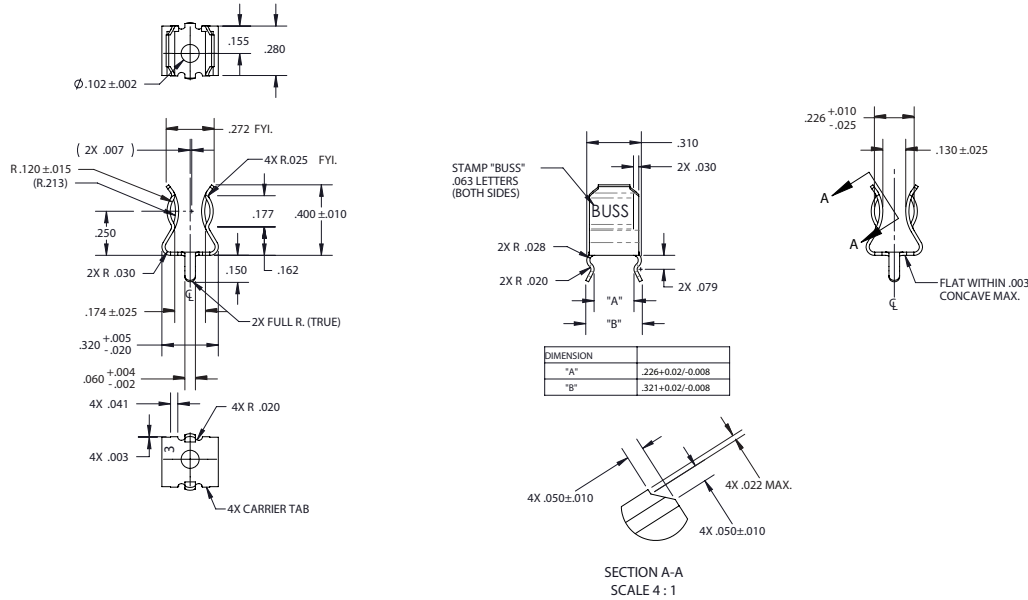


Clips for 1/4" diameter fuses- inches

1A4534 (End stops, angled-out leads)

Part number	Clip material	Clip finish
BK-1A4534-01-R	Copper clad steel	Bright tin
BK-1A4534-06-R	Cartridge brass	Bright tin

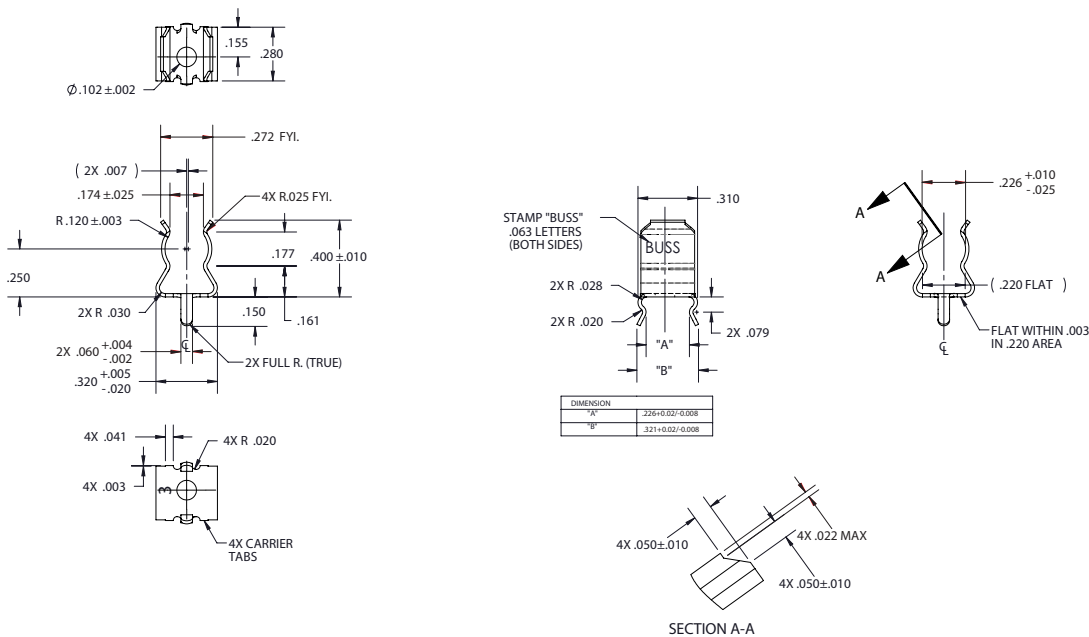
Parts packaged 1000 parts in a bag



1A4533 (Without end stops, angled-out leads)

Part number	Clip material	Clip finish
BK-1A4533-01-R	Copper clad steel	Bright tin
BK-1A4533-06-R	Cartridge brass	Bright tin

Parts packaged 1000 parts in a bag



Clips for 5 mm diameter fuses- inches

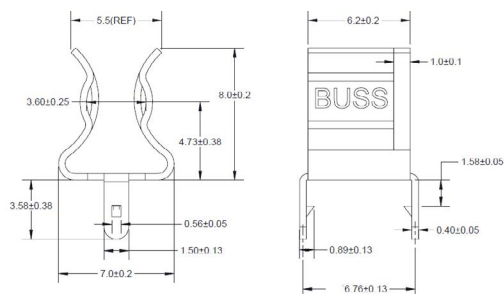
1A5601

Part number	Clip material	Clip finish	Current rating
BK-1A5601	Brass	Bright tin	7 A
BK-1A5601-01	Phosphor bronze	Bright tin	10 A

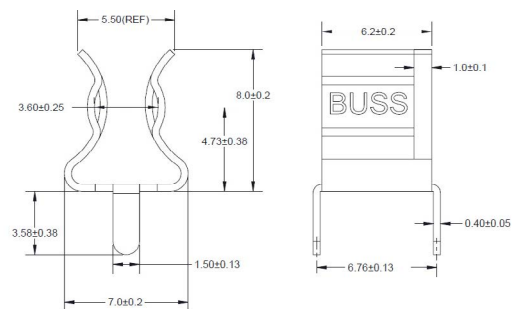
Parts packaged 1000 parts in a bag



1A5601



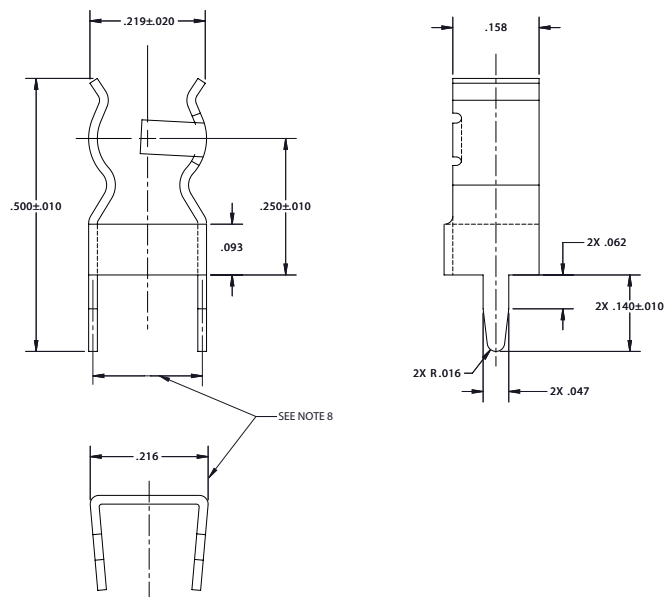
1A5601-01



1A5602

Part number	Clip material	Clip finish
BK-1A5602	Brass	Bright tin

Parts packaged 1000 parts in a bag

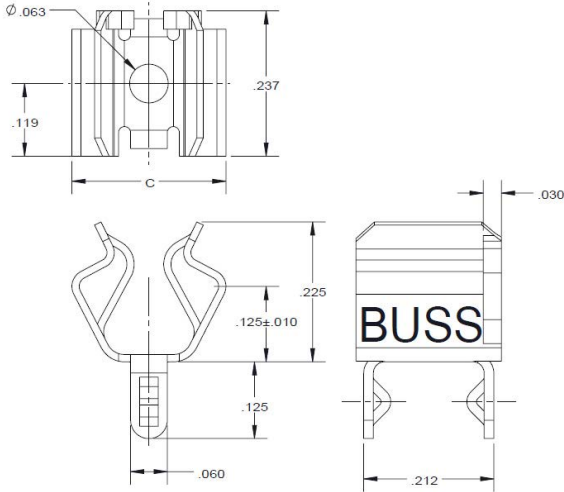


Clips for 5 mm diameter fuses- inches

1A3399 (With straight leads)

Part number	Clip material	Clip finish
BK-1A3399-01	High performance copper	Silver
BK-1A3399-04-R	High performance copper	Bright tin
BK-1A3399-10-R	High performance copper	Bright tin

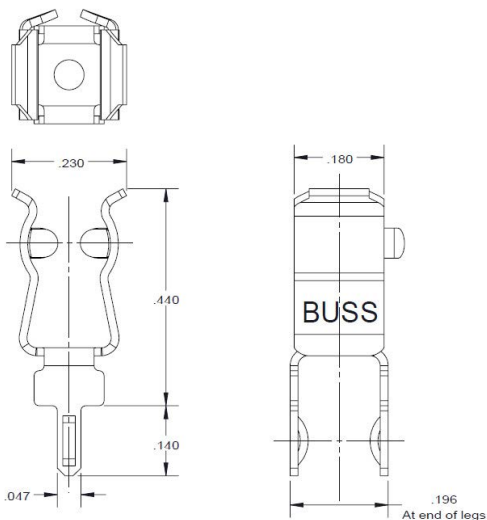
Parts packaged 1000 parts in a bag



1A5018 (With straight leads)

Part number	Clip material	Clip finish
BK-1A5018-07	High performance copper	Silver
BK-1A5018-10-R	High performance copper	Bright tin

Parts packaged 1000 parts in a bag



Clips for 13/32" 10 mm diameter fuses- mm

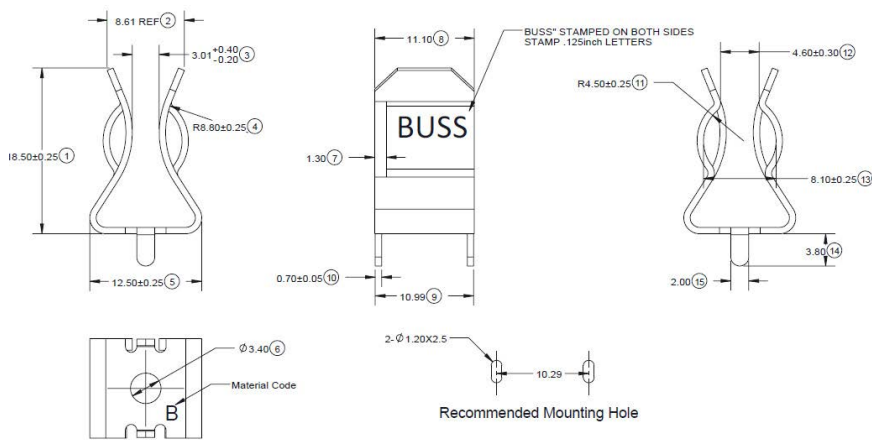
1A3400 (with end stops, straight leads)

Part number	Clip material	Clip finish
BK-1A3400-09-R*	Brass	Bright tin
BK-1A3400-17-R	BeCu	Bright tin
BK-1A3400-12-R	Brass	Bright tin

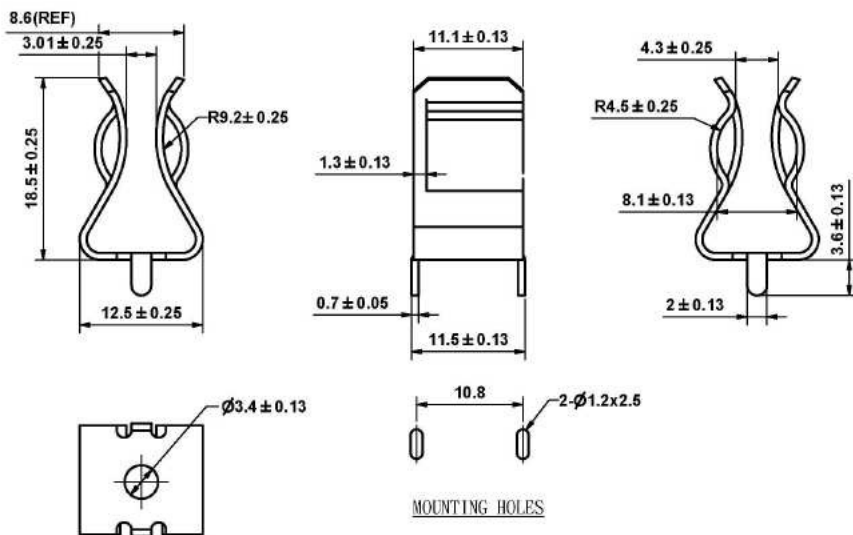
Parts packaged 1000 parts in a bag
 *=UL recognized file E14853



1A3400-09-R/1A3400-17-R



1A3400-12

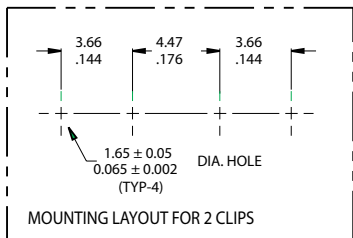
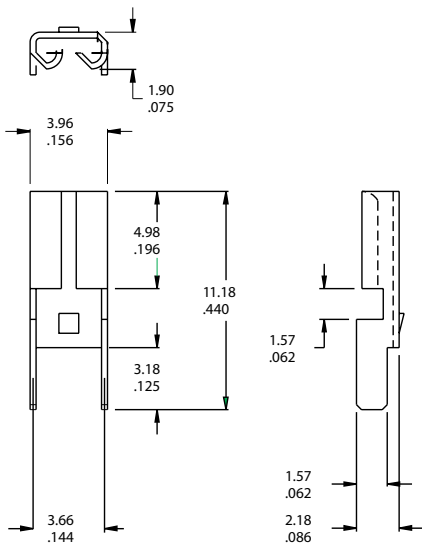


Clips for ATC/ATM fuses

1A5778 (ATM fuse, mm/inches)

Part number	Clip material	Clip finish
BK-1A5778	Brass	Nickel

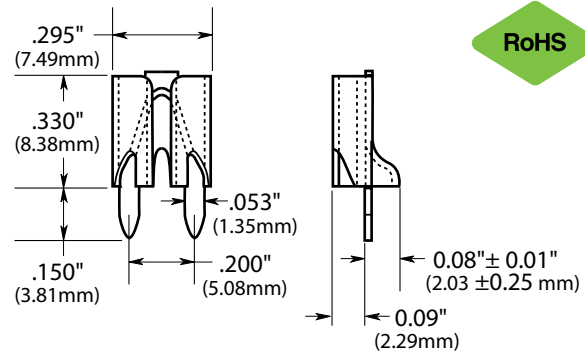
Parts packaged 1000 parts per carton



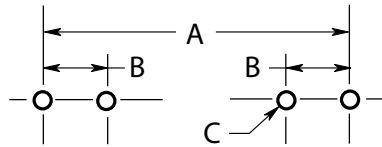
1A5600 (ATC fuse, inches/mm)

Part number	Clip material	Clip finish
BK-1A5600	Cartridge brass	Matte tin

Parts packaged 1000 parts per carton



Recommended pad layout --inches (mm)



Part number	A Dimension					B Tabs	C 4 holes	Board thickness
	Fuse length 7/8" (22.2)	1" (25.4)	1-1/4" (31.8)	1-3/8" (34.93)	1-1/2" (38.1)			
1A3398-	1.00" (25.4)	1.125" (28.58)	1.375" (34.93)			0.295"-0.305" (7.49-7.75)	0.067"-0.070" (1.70-1.78)	0.093" (2.36)
1A1907-	1.00" (25.40)	1.125" (28.58)	1.375" (34.93)			0.295"-0.305" (7.49-7.75)	0.067"-0.070" (1.70-1.78)	0.093" (2.36)
1A1119-	1.00" (25.4)	1.125" (28.58)	1.375" (34.93)			0.295"-0.305" (7.49-7.75)	0.093"±0.002 (2.36±0.05)	0.062" to 0.125" (1.57 to 3.18)
1A1120-	1.00" (25.4)	1.125" (28.58)	1.375" (34.93)			0.295"-0.305" (7.49-7.75)	0.093"±0.002 (2.36±0.05)	0.062" to 0.125" (1.57 to 3.18)
1A3399-					0.875" (22.23)	0.200" (5.08)	0.067"-0.070" (1.70-1.78)	0.093" (2.36)
1A3400-				1.50" (38.1)	1.625" (41.28)	0.405" (10.29)	0.091"-0.095" (2.31-2.41)	0.125" (3.175)
1A4533-	1.00" (25.4)	1.125" (28.58)	1.375" (34.93)			0.300" (7.62)	0.067"-0.070" (1.70-1.78)	0.062" (15.75)
1A4534-	1.00" (25.4)	1.125" (28.58)	1.375" (34.93)			0.300" (7.62)	0.067"-0.070" (1.70-1.78)	0.062" (15.75)
1A5018-					0.820" (20.83)	0.180" (4.57)	0.053"-0.057" (1.35-1.45)	0.093" (2.36)
1A5600-						"0.200" (5.08)"	"0.062"±0.003" (1.57±0.077)"	0.125"max. (3.18)
1A5601-					0.820"±0.015"	0.266"	0.067"±0.003"	0.062"
1A5602-						"0.220" (5.588)"		0.125"max. (3.175)

Life Support Policy: Eaton does not authorize the use of any of its products for use in life support devices or systems without the express written approval of an officer of the Company. Life support systems are devices which support or sustain life, and whose failure to perform, when properly used in accordance with instructions for use provided in the labeling, can be reasonably expected to result in significant injury to the user.

Eaton reserves the right, without notice, to change design or construction of any products and to discontinue or limit distribution of any products. Eaton also reserves the right to change or update, without notice, any technical information contained in this bulletin.

Eaton
Electronics Division
1000 Eaton Boulevard
Cleveland, OH 44122
United States
Eaton.com/electronics



© 2024 Eaton
All Rights Reserved
Printed in USA
Publication No. 2131
April 2024

Eaton is a registered trademark.
All other trademarks are property of their respective owners.

