

GLQ (fuse) HLQ (fuse holder)

Specialty fuse, fast-acting, size rejecting



Catalog symbol: GLQ (fuse) HLQ (fuse holder)

Fast-acting rejection style

Ampere Rating: 1-10 Amperes

Voltage Rating: 300 Volts AC or less

Interrupting Rating: 10,000 Amperes

Product features

- Size of GLQ fuse varies with ampere rating.
- GLQ fuses mount in HLQ size rejecting carriers (prevents overfusing).
- Fuse and knob are an integral one-piece unit. There are no replacement knobs (caps).
- HLQ carrier comes with 6' of #18 red insulated solid copper wire attached to the line side.
- Customer inserts a #18 insulated solid copper wire into load side receptacle.
- Units can be panel mounted with a separate steel clip. For the knockout hole (see above), choose #BK/A-104. For the keyhole punch type hole, choose #6374 for panels .043" to .062" thick, or #4909 for panels .030" to .042" thick.
- Do not put tension on line (rear) terminal of fuse-holder.

Agency information

Fuse

- UL Listed, Std. 248-14, Guide JDYX, File E19180
- CSA Certified, C22.2 No. 248.14, Class 1422-01, File 53787

Fuse holder

- UL Recognized, Guide IZLT2, File E14853
CSA Certified, Class 6225-01, File 47235

Electrical Ratings for Type GLQ Fuses and Rejection Style Carriers

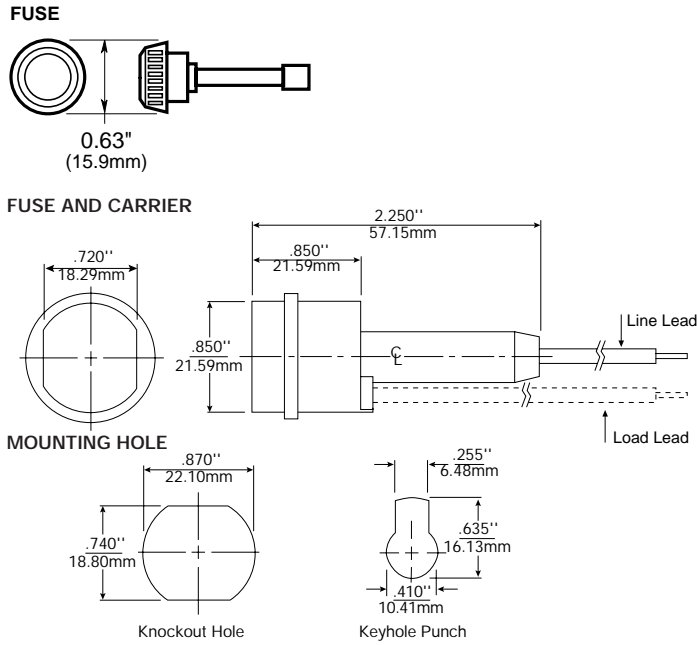
Fuse	Carrier	Fuse	Carrier
GLQ-1	HLQ-1 $\frac{6}{10}$	GLQ-3	HLQ-3 $\frac{3}{10}$
GLQ-1 $\frac{1}{2}$	HLQ-1 $\frac{6}{10}$	GLQ-4	HLQ-5
GLQ-1 $\frac{9}{10}$	HLQ-1 $\frac{6}{10}$	GLQ-5	HLQ-5
GLQ-2	HLQ-3 $\frac{3}{10}$	GLQ-9	HLQ-10
GLQ-2 $\frac{1}{2}$	HLQ-3 $\frac{3}{10}$	GLQ-10	HLQ-10

CE CE logo denotes compliance with European Union Low Voltage Directive (50-1000 Vac, 75-1500 Vdc). Refer to Data Sheet: 8002 or contact Application Engineering at 636-527-1270 for more information.

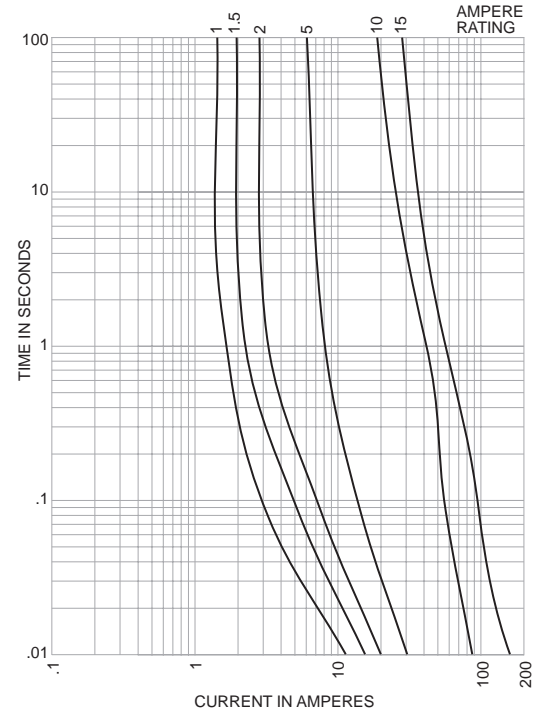


Powering Business Worldwide

Dimensional Data



Time-Current Characteristic Curves—Average Melt



Life Support Policy: Eaton does not authorize the use of any of its products for use in life support devices or systems without the express written approval of an officer of the Company. Life support systems are devices which support or sustain life, and whose failure to perform, when properly used in accordance with instructions for use provided in the labeling, can be reasonably expected to result in significant injury to the user.

Eaton reserves the right, without notice, to change design or construction of any products and to discontinue or limit distribution of any products. Eaton also reserves the right to change or update, without notice, any technical information contained in this bulletin.

Eaton
Electronics Division
1000 Eaton Boulevard
Cleveland, OH 44122
United States
www.eaton.com/electronics

© 2017 Eaton
All Rights Reserved
Printed in USA
Publication No. 2033 SB02233
June 2017