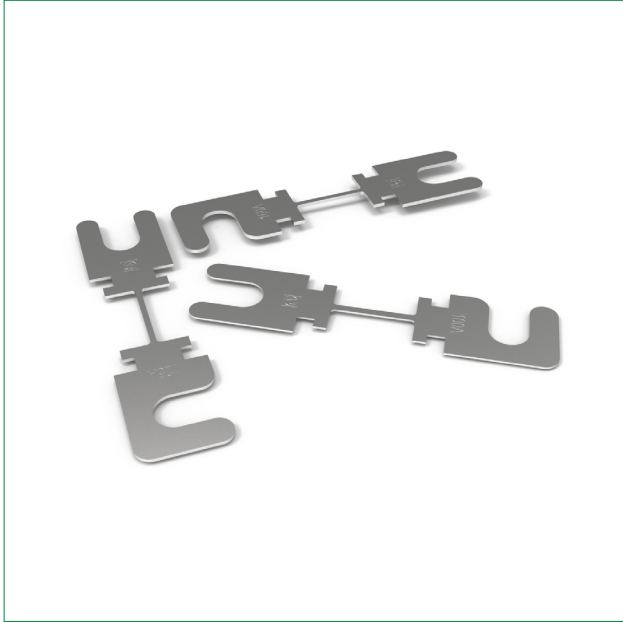


FUSE STRIP Series

Bolt-down Fuses – Rated 48 V

RoHS



Description

These special purpose fuse strips protect wires rated to carry up to 48 V in battery-powered vehicles. Do not install the high-current automotive fuse strips in gasoline- or diesel-fueled vehicles. Fuse holders for these EV fuses are sold separately.

Features & Benefits

- Time-delayed
- Available with ratings of 35 A to 500 A
- Operate at up to 125 °C
- 90° lug and straight fork ensure secure mounting

Applications

- EVs
- Hybrid vehicles

[See Disclaimer Notice](#)

Additional Information



Resources



Samples

Specifications

Voltage Rating:	48 V DC
Interrupting Rating:	Up to 3000 A
Recommended Environmental Temperature:	-40 °C to +125 °C
Terminals Material:	35 A - 80 A: Zinc alloy 100 A - 500 A: Tin plated copper alloy
Housing Material:	-
Comply With:	DIN 43560-1

Ordering Information

Part Number	Package Size
1575700.xxx1	50
1575916.xxx1	50

FUSE STRIP Series

Bolt-down Fuses – Rated 48 V

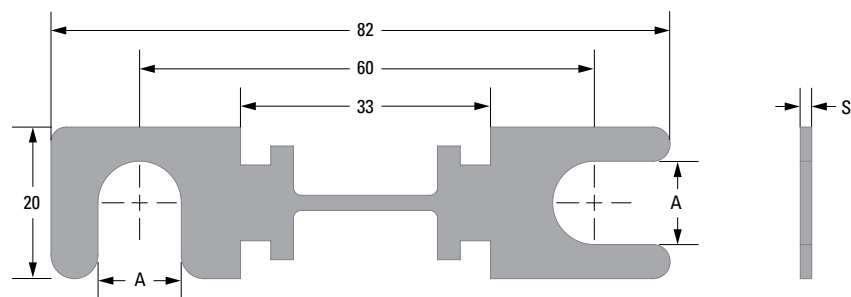
Ratings

Part Number		Current Rating (A)	Typ. Voltage Drop (mV)	Breaking Capacity (VDC/A)	Material Thickness "S" (mm)
a = 11 mm	a = 9 mm*				
1575700.5351	1575916.5351	35	125	48/210	0.6
1575700.5401	-	40	125	48/240	0.6
1575700.5501	1575916.5501	50	125	48/300	0.6
1575700.5631	1575916.5631	63	125	48/378	0.6
1575700.5801	1575916.5801	80	125	48/480	0.6
1575700.6101	1575916.6101	100	125	48/600	0.5
1575700.6121	1575916.6121	125	125	48/750	0.8
1575700.6131	1575916.6131	130	125	48/780	0.8
1575700.6141	-	135	125	48/810	0.8
1575700.6151	-	150	125	48/900	0.8
1575700.6161	1575916.6161	160	125	48/960	1.0
1575700.6171	-	175	125	48/1050	1.0
1575700.6201	1575916.6201	200	125	48/1200	0.8
1575700.6231	-	225	125	48/1350	0.5
1575700.6251	1575916.6251	250	125	48/1500	0.5
1575700.6271	-	275	125	48/1650	0.8
1575700.6301	-	300	125	48/1800	0.8
1575700.6331	-	325	125	48/1950	0.8
1575700.6351	-	355	125	48/2130	0.8
1575700.6401	-	400	125	48/2400	0.8
1575700.6421	-	425	125	48/2550	1.0
1575700.6501	-	500	125	48/3000	1.0

Note 1: Corresponding holders = 1775701.0001 and 1775702.0001."

Dimensions

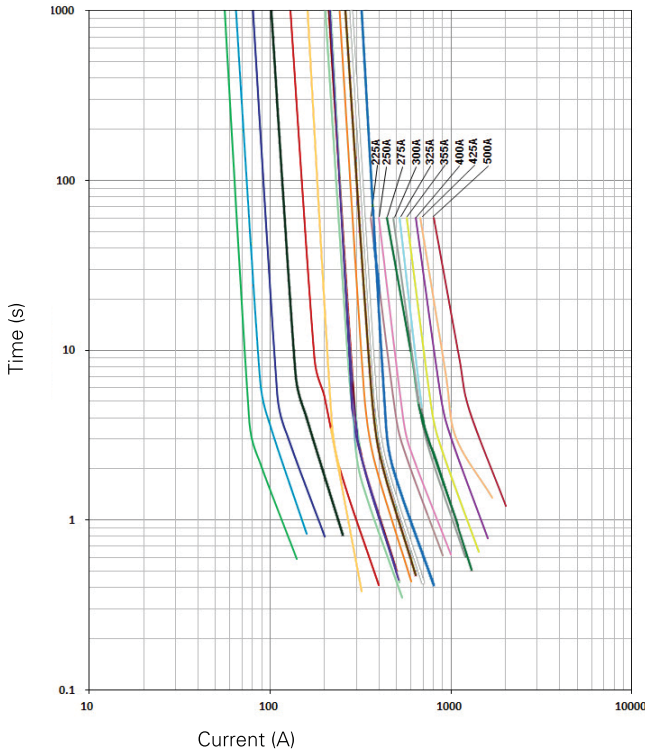
Dimensions in mm. Please refer to the outline drawing for dimensions and tolerances.



FUSE STRIP Series

Bolt-down Fuses – Rated 48 V

Time-Current Characteristic



35 A - 200 A

% of Rating	Opening Time Min. / Max. (s)
150	360 000 / -
160	- / -
220	- / 60
250	0.8 / 10
400	0.20 / 2

225 A - 500 A

% of Rating	Opening Time Min. / Max. (s)
150	- / -
160	60 / -
220	- / 60
250	0.8 / 10
400	0.20 / 2

- 35 A 135 A 275 A
- 40 A 150 A 300 A
- 50 A 160 A 325 A
- 80 A 175 A 355 A
- 100 A 200 A 400 A
- 125 A 225 A 425 A
- 130 A 250 A 500 A

Note: Current recommendation may be impacted by the final condition of the application (terminals characteristics, wire size etc.). Please contact Littelfuse® for more information.

Disclaimer Notice - Information furnished is believed to be accurate and reliable. However, users should independently evaluate the suitability of and test each product selected for their own applications. Littelfuse products are not designed for, and may not be used in, all applications. Read complete Disclaimer Notice at <https://www.littelfuse.com/legal/disclaimers/product-disclaimer.aspx>