

# LDO Regulator - Very Low Dropout, CMOS, Bias Rail 700 mA

## NCP137

The NCP137 is a 700 mA VLDO equipped with NMOS pass transistor and a separate bias supply voltage ( $V_{BIAS}$ ). The device provides very stable, accurate output voltage with low noise suitable for space constrained, noise sensitive applications. In order to optimize performance for battery operated portable applications, the NCP137 features low  $I_Q$  consumption. The WLCSP6 1.2 mm x 0.8 mm Chip Scale package is optimized for use in space constrained applications.

### Features

- Input Voltage Range:  $V_{OUT}$  to 5.5 V
- Bias Voltage Range: 2.5 V to 5.5 V
- Adjustable and Fixed Voltage Version Available
- Output Voltage Range: 0.4 V to 1.8 V (Fixed) and 0.5 V to 3.0 V (Adjustable)
- $\pm 1\%$  Accuracy over Temperature, 0.5%  $V_{OUT}$  @ 25°C
- Ultra-Low Dropout: Typ. 40 mV at 700 mA
- Very Low Bias Input Current of Typ. 35  $\mu$ A
- Very Low Bias Input Current in Disable Mode: Typ. 0.5  $\mu$ A
- Logic Level Enable Input for ON/OFF Control
- Output Active Discharge Option Available
- Stable with a 4.7  $\mu$ F Ceramic Capacitor
- Available in WLCSP6 – 1.2 mm x 0.8 mm, 0.4 mm pitch Package
- These Devices are Pb-Free, Halogen Free/BFR Free and are RoHS Compliant

### Typical Applications

- Battery-powered Equipment
- Smartphones, Tablets
- Cameras, DVRs, STB and Camcorders



ON Semiconductor™

[www.onsemi.com](http://www.onsemi.com)



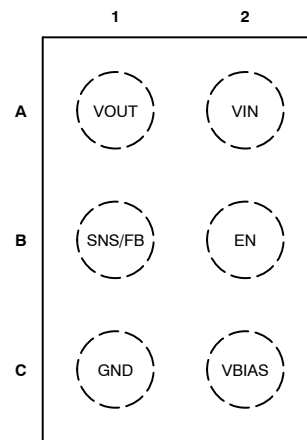
WLCSP6, 1.2x0.8  
CASE 567MV

### MARKING DIAGRAM



XX = Specific Device Code  
M = Month Code

### PIN CONNECTIONS



Top View

### ORDERING INFORMATION

See detailed ordering, marking and shipping information on page 7 of this data sheet.

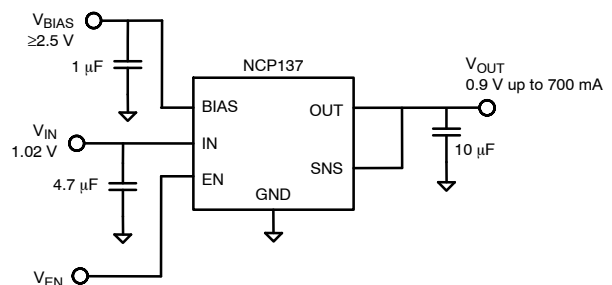
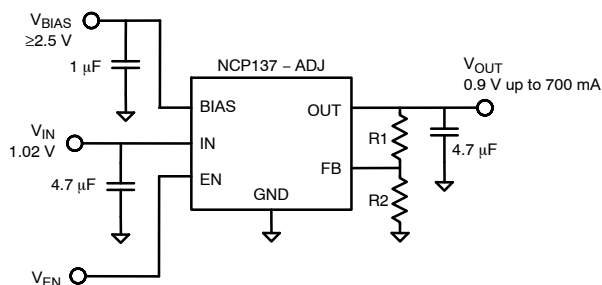
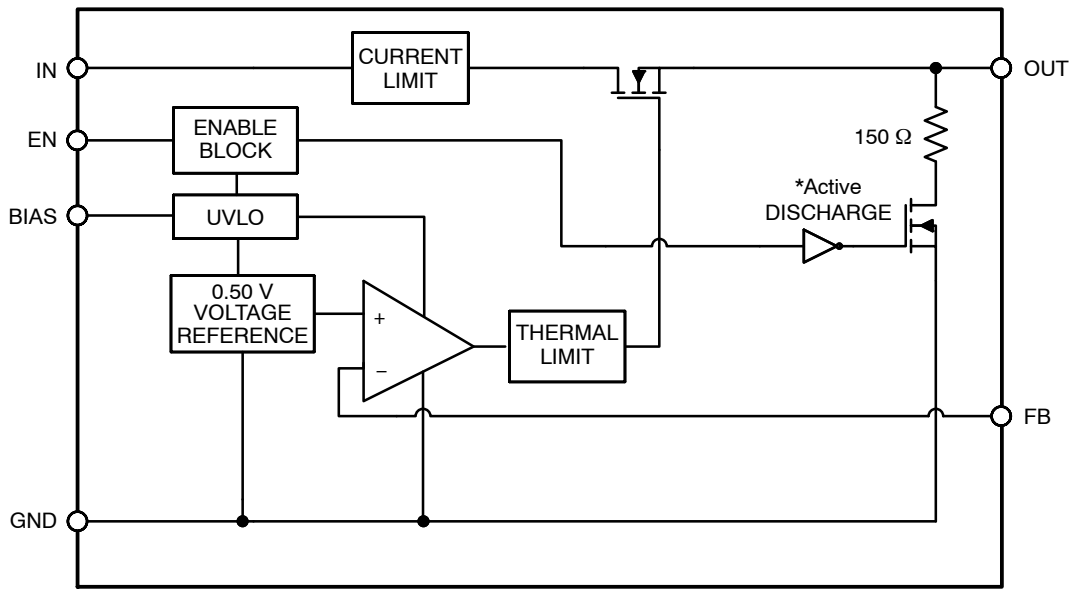


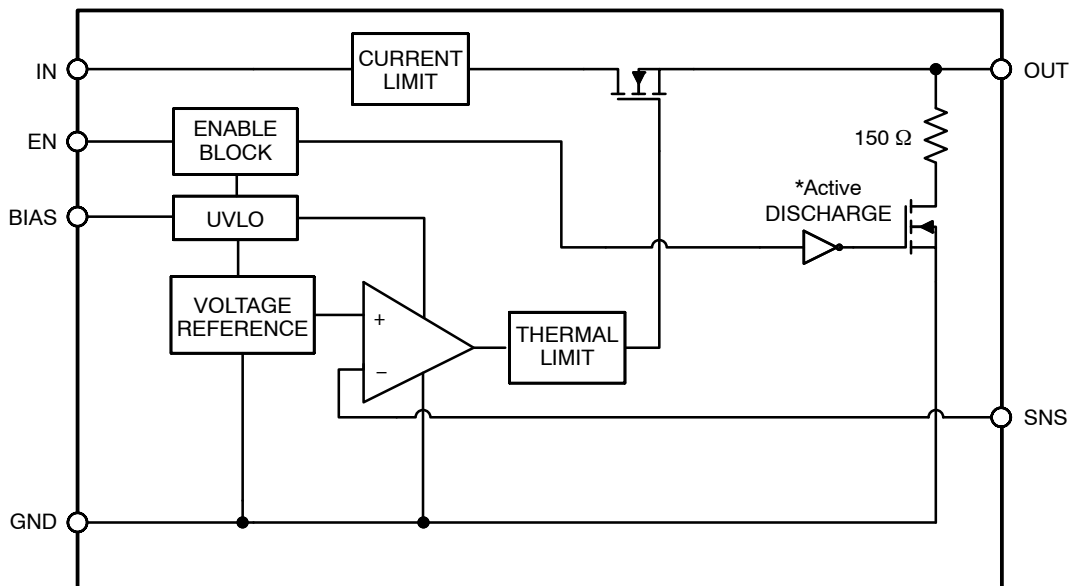
Figure 1. Typical Application Schematics

# NCP137



\*Active output discharge function is present only in NCP137A option devices.

**Figure 2. Simplified Schematic Block Diagram – Adjustable Version**



\*Active output discharge function is present only in NCP137A option devices.

**Figure 3. Simplified Schematic Block Diagram – Fixed Version**

# NCP137

## PIN FUNCTION DESCRIPTION

| Pin No.<br>WLCSP6        | Pin Name | Description  |
|--------------------------|----------|--|
| A1                       | VOUT     | Regulated Output Voltage pin   |
| A2                       | VIN      | Input Voltage Supply pin   |
| B1<br>(ADJ devices)      | FB       | Adjustable Regulator Feedback Input. Connect to output voltage resistor divider central node.                        |
| B1<br>(Fix Volt devices) | SNS      | Output voltage Sensing Input. Connect to Output on the PCB to output the voltage corresponding to the part version.  |
| B2                       | EN       | Enable pin. Driving this pin high enables the regulator. Driving this pin low puts the regulator into shutdown mode. |
| C1                       | GND      | Ground pin   |
| C2                       | VBIAS    | Bias voltage supply for internal control circuits. This pin is monitored by internal Under-Voltage Lockout Circuit.  |

## ABSOLUTE MAXIMUM RATINGS

| Rating                                    | Symbol                              | Value                         | Unit |
|---|-------------------------------------|-------------------------------|------|
| Input Voltage (Note 1)                    | $V_{IN}$                            | -0.3 to 6                     | V    |
| Output Voltage                            | $V_{OUT}$                           | -0.3 to $(V_{IN}+0.3) \leq 6$ | V    |
| Chip Enable, Bias, FB and SNS Input       | $V_{EN}, V_{BIAS}, V_{FB}, V_{SNS}$ | -0.3 to 6                     | V    |
| Output Short Circuit Duration             | $t_{SC}$                            | unlimited                     | s    |
| Maximum Junction Temperature              | $T_J$                               | 150                           | °C   |
| Storage Temperature                       | $T_{STG}$                           | -55 to 150                    | °C   |
| ESD Capability, Human Body Model (Note 2) | $ESD_{HBM}$                         | 2000                          | V    |
| ESD Capability, Machine Model (Note 2)    | $ESD_{MM}$                          | 200                           | V    |

Stresses exceeding those listed in the Maximum Ratings table may damage the device. If any of these limits are exceeded, device functionality should not be assumed, damage may occur and reliability may be affected.

1. Refer to ELECTRICAL CHARACTERISTICS and APPLICATION INFORMATION for Safe Operating Area.
2. This device series incorporates ESD protection (except OUT pin) and is tested by the following methods:  
 ESD Human Body Model tested per EIA/JESD22-A114  
 ESD Machine Model tested per EIA/JESD22-A115  
 Latchup Current Maximum Rating tested per JEDEC standard: JESD78.

## THERMAL CHARACTERISTICS

| Rating  | Symbol          | Value | Unit |
|---|-----------------|-------|------|
| Thermal Characteristics, WLCSP6 1.2 mm x 0.8 mm<br>Thermal Resistance, Junction-to-Air (Note 3) | $R_{\theta JA}$ | 69    | °C/W |

3. This junction-to-ambient thermal resistance under natural convection was derived by thermal simulations based on the JEDEC JESD51 series standards methodology. Only a single device mounted at the center of a high\_K (2s2p) 80 mm x 80 mm multilayer board with 1-ounce internal planes and 2-ounce copper on top and bottom. Top copper layer has a dedicated 1.6 sqmm copper area.

# NCP137

**ELECTRICAL CHARACTERISTICS**  $-40^{\circ}\text{C} \leq T_J \leq 85^{\circ}\text{C}$ ;  $V_{\text{BIAS}} = 2.7\text{ V}$  or  $(V_{\text{OUT}} + 1.6\text{ V})$ , whichever is greater,  $V_{\text{IN}} = V_{\text{OUT(NOM)}} + 0.3\text{ V}$ ,  $I_{\text{OUT}} = 1\text{ mA}$ ,  $V_{\text{EN}} = 1\text{ V}$ ,  $C_{\text{IN}} = 4.7\text{ }\mu\text{F}$ ,  $C_{\text{OUT}} = 10\text{ }\mu\text{F}$ ,  $C_{\text{BIAS}} = 1\text{ }\mu\text{F}$ , unless otherwise noted. Typical values are at  $T_J = +25^{\circ}\text{C}$ . Min/Max values are for  $-40^{\circ}\text{C} \leq T_J \leq 85^{\circ}\text{C}$  unless otherwise noted. (Notes 4, 5)

| Parameter                                  | Test Conditions  | Symbol                             | Min                                | Typ                                       | Max  | Unit                       |
|--|--|------------------------------------|------------------------------------|---|------|----------------------------|
| Operating Input Voltage Range              |  | $V_{\text{IN}}$                    | $V_{\text{OUT}} + V_{\text{DO}}$   |   | 5.5  | V                          |
| Operating Bias Voltage Range               |  | $V_{\text{BIAS}}$                  | $(V_{\text{OUT}} + 1.50) \geq 2.5$ |   | 5.5  | V                          |
| Undervoltage Lock-out                      | $V_{\text{BIAS}}$ Rising Hysteresis  | UVLO                               |                                    | 1.6<br>0.2                                |      | V                          |
| Reference Voltage (Adj devices)            | $T_J = +25^{\circ}\text{C}$  | $V_{\text{REF}}$                   |                                    | 0.500                                     |      | V                          |
| Output Voltage Accuracy                    |  | $V_{\text{OUT}}$                   |                                    | $\pm 0.5$                                 |      | %                          |
| Output Voltage Accuracy                    | $-40^{\circ}\text{C} \leq T_J \leq 85^{\circ}\text{C}$ , $V_{\text{OUT(NOM)}} + 0.3\text{ V} \leq V_{\text{IN}} \leq V_{\text{OUT(NOM)}} + 1.0\text{ V}$ , $2.7\text{ V}$ or $(V_{\text{OUT(NOM)}} + 1.6\text{ V})$ , whichever is greater $< V_{\text{BIAS}} < 5.5\text{ V}$ , $1\text{ mA} < I_{\text{OUT}} < 700\text{ mA}$ | $V_{\text{OUT}}$                   | -1.0                               |   | +1.0 | %                          |
| $V_{\text{IN}}$ Line Regulation            | $V_{\text{OUT(NOM)}} + 0.3\text{ V} \leq V_{\text{IN}} \leq 5.0\text{ V}$  | LineReg                            |                                    | 0.01                                      |      | %/V                        |
| $V_{\text{BIAS}}$ Line Regulation          | $2.7\text{ V}$ or $(V_{\text{OUT(NOM)}} + 1.6\text{ V})$ , whichever is greater $< V_{\text{BIAS}} < 5.5\text{ V}$   | LineReg                            |                                    | 0.01                                      |      | %/V                        |
| Load Regulation                            | $I_{\text{OUT}} = 1\text{ mA}$ to $700\text{ mA}$  | LoadReg                            |                                    | 1.5                                       |      | mV                         |
| $V_{\text{IN}}$ Dropout Voltage            | $I_{\text{OUT}} = 700\text{ mA}$ (Notes 6, 7)  | $V_{\text{DO}}$                    |                                    | 40  | 60   | mV                         |
| $V_{\text{BIAS}}$ Dropout Voltage          | $I_{\text{OUT}} = 700\text{ mA}$ , $V_{\text{IN}} = V_{\text{BIAS}}$ (Notes 6, 8, 9)   | $V_{\text{DO}}$                    |                                    | 1.1                                       | 1.5  | V                          |
| Output Current Limit                       | $V_{\text{OUT}} = 90\% V_{\text{OUT(NOM)}}$  | $I_{\text{CL}}$                    | 800                                | 1200                                      | 1500 | mA                         |
| FB/SNS Pin Operating Current               |  | $I_{\text{FB}}$ , $I_{\text{SNS}}$ |                                    | 0.1                                       | 0.5  | $\mu\text{A}$              |
| Bias Pin Quiescent Current                 | $V_{\text{BIAS}} = 2.7\text{ V}$ , $I_{\text{OUT}} = 0\text{ mA}$  | $I_{\text{BIASQ}}$                 |                                    | 35  | 50   | $\mu\text{A}$              |
| Bias Pin Disable Current                   | $V_{\text{EN}} \leq 0.4\text{ V}$  | $I_{\text{BIAS(DIS)}}$             |                                    | 0.5                                       | 1    | $\mu\text{A}$              |
| Vinput Pin Disable Current                 | $V_{\text{EN}} \leq 0.4\text{ V}$  | $I_{\text{VIN(DIS)}}$              |                                    | 0.5                                       | 1    | $\mu\text{A}$              |
| EN Pin Threshold Voltage                   | EN Input Voltage "H"   | $V_{\text{EN(H)}}$                 | 0.9                                |   |      | V                          |
|  | EN Input Voltage "L"   | $V_{\text{EN(L)}}$                 |                                    |   | 0.4  |                            |
| EN Pull Down Current                       | $V_{\text{EN}} = 5.5\text{ V}$   | $I_{\text{EN}}$                    |                                    | 0.3                                       | 1    | $\mu\text{A}$              |
| Turn-On Time                               | From assertion of $V_{\text{EN}}$ to $V_{\text{OUT}} = 98\% V_{\text{OUT(NOM)}}$ , $V_{\text{OUT(NOM)}} = 1.0\text{ V}$ , $C_{\text{OUT}} = 4.7\text{ }\mu\text{F}$  | $t_{\text{ON}}$                    |                                    | 150                                       |      | $\mu\text{s}$              |
| Power Supply Rejection Ratio (Adj devices) | $V_{\text{IN}}$ to $V_{\text{OUT}}$ , $f = 1\text{ kHz}$ , $I_{\text{OUT}} = 10\text{ mA}$ , $V_{\text{IN}} \geq V_{\text{OUT}} + 0.5\text{ V}$ , $V_{\text{OUT(NOM)}} = 1.0\text{ V}$ , $C_{\text{OUT}} = 4.7\text{ }\mu\text{F}$   | PSRR( $V_{\text{IN}}$ )            |                                    | 75  |      | dB                         |
|  | $V_{\text{BIAS}}$ to $V_{\text{OUT}}$ , $f = 1\text{ kHz}$ , $I_{\text{OUT}} = 10\text{ mA}$ , $V_{\text{IN}} \geq V_{\text{OUT}} + 0.5\text{ V}$ , $V_{\text{OUT(NOM)}} = 1.0\text{ V}$ , $V_{\text{BIAS}} = 3.0\text{ V}$ , $C_{\text{OUT}} = 4.7\text{ }\mu\text{F}$  | PSRR( $V_{\text{BIAS}}$ )          |                                    | 85  |      |                            |
| Output Noise Voltage (Adj devices)         | $V_{\text{IN}} = V_{\text{OUT}} + 0.5\text{ V}$ , $f = 10\text{ Hz}$ to $100\text{ kHz}$ , $V_{\text{OUT(NOM)}} = 1.0\text{ V}$ , $C_{\text{OUT}} = 4.7\text{ }\mu\text{F}$  | $V_{\text{N}}$                     |                                    | $35 \times V_{\text{OUT}}/V_{\text{REF}}$ |      | $\mu\text{V}_{\text{RMS}}$ |
| Thermal Shutdown Threshold                 | Temperature increasing   |                                    |                                    | 160                                       |      | $^{\circ}\text{C}$         |
|  | Temperature decreasing   |                                    |                                    | 140                                       |      |                            |

4. Performance guaranteed over the indicated operating temperature range by design and/or characterization. Production tested at  $T_A = 25^{\circ}\text{C}$ . Low duty cycle pulse techniques are used during the testing to maintain the junction temperature as close to ambient as possible.
5. Adjustable devices tested at  $V_{\text{OUT}} = V_{\text{REF}}$  unless otherwise noted; external resistor tolerance is not taken into account.
6. Dropout voltage is characterized when  $V_{\text{OUT}}$  falls 3% below  $V_{\text{OUT(NOM)}}$ .
7. For adjustable devices,  $V_{\text{IN}}$  dropout voltage tested at  $V_{\text{OUT(NOM)}} = 2 \times V_{\text{REF}}$ .
8. For adjustable devices,  $V_{\text{BIAS}}$  dropout voltage tested at  $V_{\text{OUT(NOM)}} = 3 \times V_{\text{REF}}$  due to a minimum Bias operating voltage of 2.5 V.
9. For fixed output voltages below 1.5 V,  $V_{\text{BIAS}}$  dropout does not apply due to a minimum Bias operating voltage of 2.5 V.

## NCP137

**ELECTRICAL CHARACTERISTICS**  $-40^{\circ}\text{C} \leq T_J \leq 85^{\circ}\text{C}$ ;  $V_{\text{BIAS}} = 2.7\text{ V}$  or  $(V_{\text{OUT}} + 1.6\text{ V})$ , whichever is greater,  $V_{\text{IN}} = V_{\text{OUT(NOM)}} + 0.3\text{ V}$ ,  $I_{\text{OUT}} = 1\text{ mA}$ ,  $V_{\text{EN}} = 1\text{ V}$ ,  $C_{\text{IN}} = 4.7\text{ }\mu\text{F}$ ,  $C_{\text{OUT}} = 10\text{ }\mu\text{F}$ ,  $C_{\text{BIAS}} = 1\text{ }\mu\text{F}$ , unless otherwise noted. Typical values are at  $T_J = +25^{\circ}\text{C}$ . Min/Max values are for  $-40^{\circ}\text{C} \leq T_J \leq 85^{\circ}\text{C}$  unless otherwise noted. (Notes 4, 5)

| Parameter  | Test Conditions   | Symbol                         | Min | Typ | Max | Unit             |
|--|---|--------------------------------|-----|-----|-----|------------------|
| Output Discharge Pull-Down                           | $V_{\text{EN}} \leq 0.4\text{ V}$ , $V_{\text{OUT}} = 0.5\text{ V}$ , NCP137A options only  | $R_{\text{DISCH}}$             |     | 150 |     | $\Omega$         |
| Power Supply Rejection Ratio (Fixed Voltage devices) | $V_{\text{IN}}$ to $V_{\text{OUT}}$ , $f = 1\text{ kHz}$ , $I_{\text{OUT}} = 10\text{ mA}$ , $V_{\text{IN}} \geq V_{\text{OUT}} + 0.5\text{ V}$ , $V_{\text{OUT(NOM)}} = 1.05\text{ V}$ , $C_{\text{OUT}} = 10\text{ }\mu\text{F}$                                      | $\text{PSRR}(V_{\text{IN}})$   |     | 75  |     | dB               |
|  | $V_{\text{BIAS}}$ to $V_{\text{OUT}}$ , $f = 1\text{ kHz}$ , $I_{\text{OUT}} = 10\text{ mA}$ , $V_{\text{IN}} \geq V_{\text{OUT}} + 0.5\text{ V}$ , $V_{\text{OUT(NOM)}} = 1.05\text{ V}$ , $V_{\text{BIAS}} = 3.0\text{ V}$ , $C_{\text{OUT}} = 10\text{ }\mu\text{F}$ | $\text{PSRR}(V_{\text{BIAS}})$ |     | 85  |     | dB               |
| Output Noise Voltage (Fixed Voltage devices)         | $V_{\text{IN}} = V_{\text{OUT}} + 0.5\text{ V}$ , $f = 10\text{ Hz to }100\text{ kHz}$ , $V_{\text{OUT(NOM)}} = 1.05\text{ V}$ , $C_{\text{OUT}} = 10\text{ }\mu\text{F}$   | $V_{\text{N}}$                 |     | 40  |     | $\mu\text{VRMS}$ |

4. Performance guaranteed over the indicated operating temperature range by design and/or characterization. Production tested at  $T_A = 25^{\circ}\text{C}$ . Low duty cycle pulse techniques are used during the testing to maintain the junction temperature as close to ambient as possible.
5. Adjustable devices tested at  $V_{\text{OUT}} = V_{\text{REF}}$  unless otherwise noted; external resistor tolerance is not taken into account.
6. Dropout voltage is characterized when  $V_{\text{OUT}}$  falls 3% below  $V_{\text{OUT(NOM)}}$ .
7. For adjustable devices,  $V_{\text{IN}}$  dropout voltage tested at  $V_{\text{OUT(NOM)}} = 2 \times V_{\text{REF}}$ .
8. For adjustable devices,  $V_{\text{BIAS}}$  dropout voltage tested at  $V_{\text{OUT(NOM)}} = 3 \times V_{\text{REF}}$  due to a minimum Bias operating voltage of 2.5 V.
9. For fixed output voltages below 1.5 V,  $V_{\text{BIAS}}$  dropout does not apply due to a minimum Bias operating voltage of 2.5 V.

Product parametric performance is indicated in the Electrical Characteristics for the listed test conditions, unless otherwise noted. Product performance may not be indicated by the Electrical Characteristics if operated under different conditions.

APPLICATIONS INFORMATION

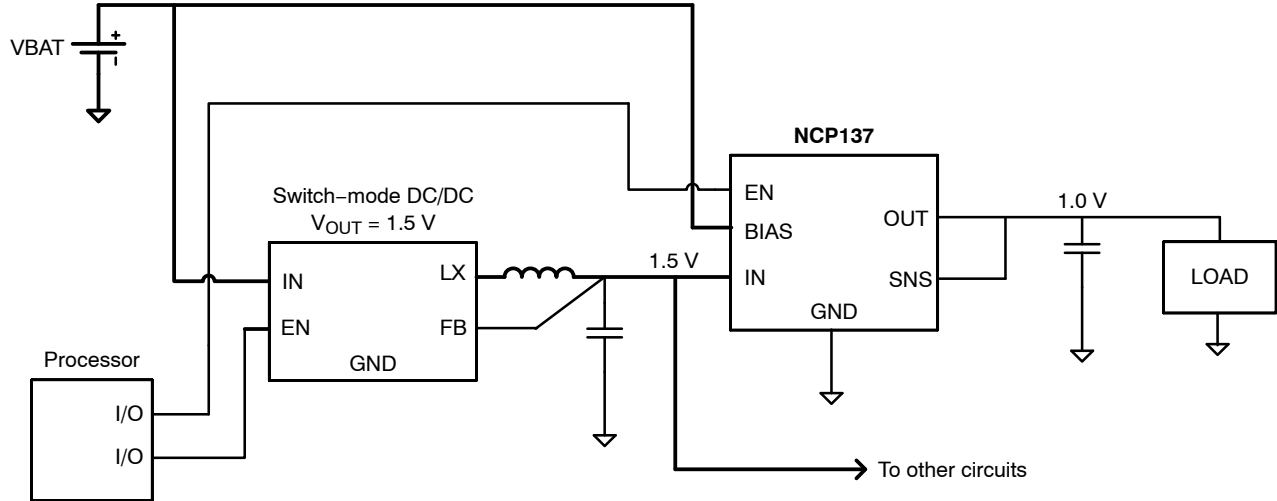


Figure 4. Typical Application: Low-Voltage DC/DC Post-Regulator with ON/OFF Functionality

The NCP137 dual-rail very low dropout voltage regulator is using NMOS pass transistor for output voltage regulation from  $V_{IN}$  voltage. All the low current internal control circuitry is powered from the  $V_{BIAS}$  voltage.

The use of an NMOS pass transistor offers several advantages in applications. Unlike PMOS topology devices, the output capacitor has reduced impact on loop stability.  $V_{in}$  to  $V_{out}$  operating voltage difference can be very low compared with standard PMOS regulators in very low  $V_{in}$  applications.

The NCP137 offers smooth monotonic start-up. The controlled voltage rising limits the inrush current.

The Enable (EN) input is equipped with internal hysteresis. NCP137 Voltage linear regulator Fixed and Adjustable version is available.

**Output Voltage Adjust**

The required output voltage of Adjustable devices can be adjusted from 0.5 V to 3.0 V using two external resistors.

Typical application schematics is shown in Figure 5.

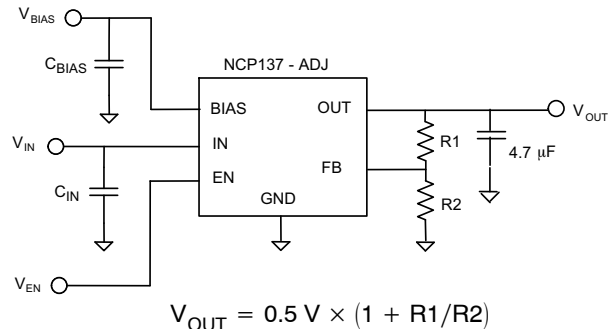


Figure 5. Typical Application Schematics

It is recommended to keep the total serial resistance of resistors ( $R1 + R2$ ) no greater than 100 k $\Omega$ .

**Dropout Voltage**

Because of two power supply inputs  $V_{IN}$  and  $V_{BIAS}$  and one  $V_{OUT}$  regulator output, there are two Dropout voltages specified.

The first, the  $V_{IN}$  Dropout voltage is the voltage difference ( $V_{IN} - V_{OUT}$ ) when  $V_{OUT}$  starts to decrease by percent specified in the Electrical Characteristics table.  $V_{BIAS}$  is high enough; specific value is published in the Electrical Characteristics table.

The second,  $V_{BIAS}$  dropout voltage is the voltage difference ( $V_{BIAS} - V_{OUT}$ ) when  $V_{IN}$  and  $V_{BIAS}$  pins are joined together and  $V_{OUT}$  starts to decrease.

**Input and Output Capacitors**

The Adjustable device is designed to be stable for ceramic output capacitors with Effective capacitance in the range from 4.7  $\mu\text{F}$  to 22  $\mu\text{F}$ . The device is also stable with multiple capacitors in parallel, having the total effective capacitance in the specified range. For ADJ applications with nominal output voltage less than 0.6 V and for all the fixed voltage devices applications the output capacitor effective capacitance 10  $\mu\text{F}$  to 22  $\mu\text{F}$  is recommended.

In applications where no low input supplies impedance available (PCB inductance in  $V_{IN}$  and/or  $V_{BIAS}$  inputs as example), the recommended  $C_{IN} = 1 \mu\text{F}$  and  $C_{BIAS} = 0.1 \mu\text{F}$  or greater. Ceramic capacitors are recommended. For the best performance all the capacitors should be connected to the NCP137 respective pins directly in the device PCB copper layer, not through vias having not negligible impedance.

When using small ceramic capacitor, their capacitance is not constant but varies with applied DC biasing voltage, temperature and tolerance. The effective capacitance can be much lower than their nominal capacitance value, most importantly in negative temperatures and higher LDO output voltages. That is why the recommended Output capacitor capacitance value is specified as Effective value in the specific application conditions.

# NCP137

## Enable Operation

The enable pin will turn the regulator on or off. The threshold limits are covered in the electrical characteristics table in this data sheet. If the enable function is not to be used then the pin should be connected to  $V_{IN}$  or  $V_{BIAS}$ .

## Current Limitation

The internal Current Limitation circuitry allows the device to supply the full nominal current and surges but protects the device against Current Overload or Short.

## Thermal Protection

Internal thermal shutdown (TSD) circuitry is provided to protect the integrated circuit in the event that the maximum junction temperature is exceeded. When TSD activated, the regulator output turns off. When cooling down under the low temperature threshold, device output is activated again. This TSD feature is provided to prevent failures from accidental overheating.

Activation of the thermal protection circuit indicates excessive power dissipation or inadequate heatsinking. For reliable operation, junction temperature should be limited to +105°C maximum.

## ORDERING INFORMATION

| Device            | Nominal Output Voltage | Marking | Option  | Package             | Shipping†          |
|-------------------|------------------------|---------|---|---------------------|--------------------|
| NCP137AFCTADJT2G  | ADJ                    | A7      | Output Active Discharge                       | WLCSP6<br>(Pb-Free) | 5000 / Tape & Reel |
| NCP137AFCTCADJT2G | ADJ                    | A7      | Output Active Discharge,<br>Back Side Coating |                     |                    |
| NCP137BFCTADJT2G  | ADJ                    | D7      | Non-Active Discharge                          |                     |                    |
| NCP137AFCT045T2G  | 0.45 V                 | AT      | Output Active Discharge                       |                     |                    |
| NCP137AFCT105T2G  | 1.05 V                 | AA      | Output Active Discharge                       |                     |                    |
| NCP137AFCT110T2G  | 1.10 V                 | AH      | Output Active Discharge                       |                     |                    |
| NCP137AFCTC110T2G | 1.10 V                 | AH      | Output Active Discharge,<br>Back Side Coating |                     |                    |
| NCP137AFCT120T2G  | 1.20 V                 | AD      | Output Active Discharge                       |                     |                    |

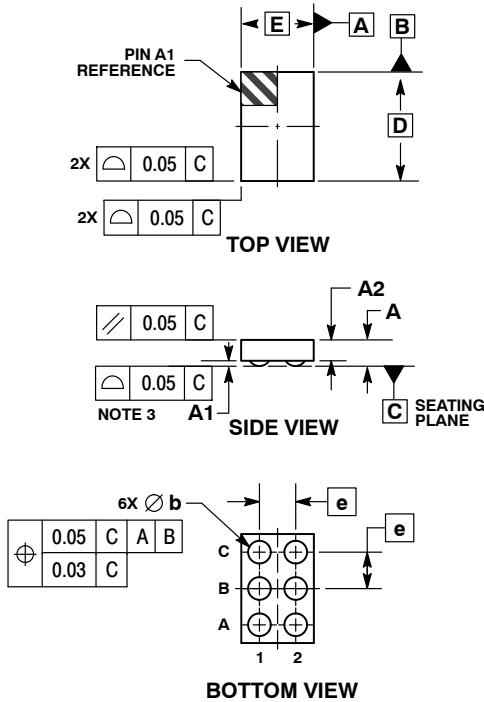
†For information on tape and reel specifications, including part orientation and tape sizes, please refer to our Tape and Reel Packaging Specifications Brochure, BRD8011/D.

To order other package and voltage variants, please contact your ON Semiconductor sales representative

  
SCALE 4:1

**WLCSP6, 1.20x0.80**  
CASE 567MV  
ISSUE B

DATE 05 JUN 2018



**NOTES:**

1. DIMENSIONING AND TOLERANCING PER ASME Y14.5M, 1994.
2. CONTROLLING DIMENSION: MILLIMETERS.
3. COPLANARITY APPLIES TO SPHERICAL CROWNS OF SOLDER BALLS.

| DIM | MILLIMETERS |      |
|-----|-------------|------|
|     | MIN         | MAX  |
| A   | ---         | 0.33 |
| A1  | 0.04        | 0.08 |
| A2  | 0.23        | REF  |
| b   | 0.24        | 0.30 |
| D   | 1.20        | BSC  |
| E   | 0.80        | BSC  |
| e   | 0.40        | BSC  |

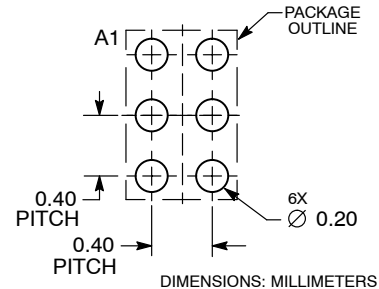
**GENERIC MARKING DIAGRAM\***



XX = Specific Device Code  
M = Month Code

\*This information is generic. Please refer to device data sheet for actual part marking. Pb-Free indicator, "G" or microdot "▪", may or may not be present.

**RECOMMENDED SOLDERING FOOTPRINT\***



\*For additional information on our Pb-Free strategy and soldering details, please download the ON Semiconductor Soldering and Mounting Techniques Reference Manual, SOLDERRM/D.

|                         |                          |  |
|-------------------------|--------------------------|--|
| <b>DOCUMENT NUMBER:</b> | <b>98AON06670G</b>       | Electronic versions are uncontrolled except when accessed directly from the Document Repository. Printed versions are uncontrolled except when stamped "CONTROLLED COPY" in red. |
| <b>DESCRIPTION:</b>     | <b>WLCSP6, 1.20x0.80</b> | <b>PAGE 1 OF 1</b>   |

onsemi and ONSEMI are trademarks of Semiconductor Components Industries, LLC dba onsemi or its subsidiaries in the United States and/or other countries. onsemi reserves the right to make changes without further notice to any products herein. onsemi makes no warranty, representation or guarantee regarding the suitability of its products for any particular purpose, nor does onsemi assume any liability arising out of the application or use of any product or circuit, and specifically disclaims any and all liability, including without limitation special, consequential or incidental damages. onsemi does not convey any license under its patent rights nor the rights of others.



**onsemi**, **Onsemi**, and other names, marks, and brands are registered and/or common law trademarks of Semiconductor Components Industries, LLC dba "**onsemi**" or its affiliates and/or subsidiaries in the United States and/or other countries. **onsemi** owns the rights to a number of patents, trademarks, copyrights, trade secrets, and other intellectual property. A listing of **onsemi**'s product/patent coverage may be accessed at [www.onsemi.com/site/pdf/Patent-Marking.pdf](http://www.onsemi.com/site/pdf/Patent-Marking.pdf). **onsemi** reserves the right to make changes at any time to any products or information herein, without notice. The information herein is provided "as-is" and **onsemi** makes no warranty, representation or guarantee regarding the accuracy of the information, product features, availability, functionality, or suitability of its products for any particular purpose, nor does **onsemi** assume any liability arising out of the application or use of any product or circuit, and specifically disclaims any and all liability, including without limitation special, consequential or incidental damages. Buyer is responsible for its products and applications using **onsemi** products, including compliance with all laws, regulations and safety requirements or standards, regardless of any support or applications information provided by **onsemi**. "Typical" parameters which may be provided in **onsemi** data sheets and/or specifications can and do vary in different applications and actual performance may vary over time. All operating parameters, including "Typicals" must be validated for each customer application by customer's technical experts. **onsemi** does not convey any license under any of its intellectual property rights nor the rights of others. **onsemi** products are not designed, intended, or authorized for use as a critical component in life support systems or any FDA Class 3 medical devices or medical devices with a same or similar classification in a foreign jurisdiction or any devices intended for implantation in the human body. Should Buyer purchase or use **onsemi** products for any such unintended or unauthorized application, Buyer shall indemnify and hold **onsemi** and its officers, employees, subsidiaries, affiliates, and distributors harmless against all claims, costs, damages, and expenses, and reasonable attorney fees arising out of, directly or indirectly, any claim of personal injury or death associated with such unintended or unauthorized use, even if such claim alleges that **onsemi** was negligent regarding the design or manufacture of the part. **onsemi** is an Equal Opportunity/Affirmative Action Employer. This literature is subject to all applicable copyright laws and is not for resale in any manner.

## ADDITIONAL INFORMATION

### TECHNICAL PUBLICATIONS:

Technical Library: [www.onsemi.com/design/resources/technical-documentation](http://www.onsemi.com/design/resources/technical-documentation)  
onsemi Website: [www.onsemi.com](http://www.onsemi.com)

### ONLINE SUPPORT: [www.onsemi.com/support](http://www.onsemi.com/support)

For additional information, please contact your local Sales Representative at [www.onsemi.com/support/sales](http://www.onsemi.com/support/sales)