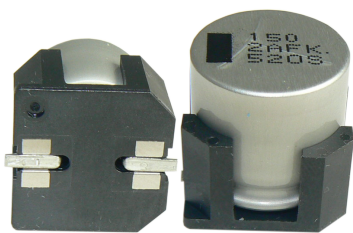


Type AFK_V, -55 °C to 105 °C, High Vibration

SMT Aluminum Electrolytic Capacitors - Lowest E.S.R., 105 °C

Low Impedance and Long-Life for Filtering, Bypassing and Power Supply Decoupling



Using a ruggedized construction, type AFK_V withstands a 30 G vibration test and has 40% to 60% lower impedance, 30% to 50% smaller case size and more than twice the life compared to general purpose types. As the main countermeasure to vibration, the metal case is inserted into a molded plastic retaining wall that surrounds the part, keeping it firmly in place. Larger diameter leads provide additional mechanical stability of the internal winding and a larger soldering surface keeps the part firmly affixed to the PCB. Type AFK_V is an excellent choice for power systems subjected to frequent motion and vibration.

Highlights

- Withstands 30 G vibration test
- +105 °C, Up to 5000 Hour Load Life
- Capacitance Range: 10 µF to 6800 µF
- Voltage Range: 6.3 Vdc to 100 Vdc
- AEC-Q200 Compliant

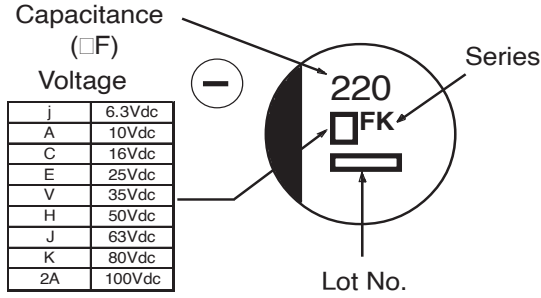
Specifications

| Capacitance Range | 10 µF to 6800 µF | | | | | | | | | | | | | | | | | | |
|---|---|-------------------------|-------------|-------------------------|--------------------|--------|---------|--------------------|------|-------|--------------------|------|------|------|------|-----|------|------|------|
| Capacitance Tolerance | ±20% @ 120 Hz and +20 °C | | | | | | | | | | | | | | | | | | |
| Rated Voltage | 6.3, 10, 16, 25, 35, 50, 63, 80 & 100 Vdc | | | | | | | | | | | | | | | | | | |
| Operating Temperature Range | -55 °C to +105 °C | | | | | | | | | | | | | | | | | | |
| Leakage Current | 0.01 CV or 3 µA @ +20 °C, after two minutes (whichever is greater) | | | | | | | | | | | | | | | | | | |
| Ripple Current Multiplier | <table border="1"><thead><tr><th>Frequency</th><th>50/60 Hz</th><th>120 Hz</th><th>1 kHz</th><th>10 kHz</th><th>100 kHz</th></tr></thead><tbody><tr><td></td><td>0.70</td><td>.0.75</td><td>0.90</td><td>0.95</td><td>1.00</td></tr></tbody></table> | Frequency | 50/60 Hz | 120 Hz | 1 kHz | 10 kHz | 100 kHz | | 0.70 | .0.75 | 0.90 | 0.95 | 1.00 | | | | | | |
| Frequency | 50/60 Hz | 120 Hz | 1 kHz | 10 kHz | 100 kHz | | | | | | | | | | | | | | |
| | 0.70 | .0.75 | 0.90 | 0.95 | 1.00 | | | | | | | | | | | | | | |
| Dissipation Factor | <table border="1"><thead><tr><th>6.3V</th><th>10V</th><th>16V</th><th>25V</th><th>35V</th><th>50V</th><th>63V</th><th>80V</th><th>100V</th></tr></thead><tbody><tr><td>0.26</td><td>0.19</td><td>0.16</td><td>0.14</td><td>0.12</td><td>0.1</td><td>0.08</td><td>0.08</td><td>0.07</td></tr></tbody></table> <p>Add 0.02 per 1000 µF for values greater than 1000 µF</p> | 6.3V | 10V | 16V | 25V | 35V | 50V | 63V | 80V | 100V | 0.26 | 0.19 | 0.16 | 0.14 | 0.12 | 0.1 | 0.08 | 0.08 | 0.07 |
| 6.3V | 10V | 16V | 25V | 35V | 50V | 63V | 80V | 100V | | | | | | | | | | | |
| 0.26 | 0.19 | 0.16 | 0.14 | 0.12 | 0.1 | 0.08 | 0.08 | 0.07 | | | | | | | | | | | |
| Low Temperature Impedance Ratio Characteristics at 120 Hz | <table border="1"><thead><tr><th>Rated Voltage (Vdc)</th><th>6.3, 10, 16</th><th>25, 35, 50, 63, 80, 100</th></tr></thead><tbody><tr><td>Z (-25°C)/Z(+20°C)</td><td>2</td><td>2</td></tr><tr><td>Z (-40°C)/Z(+20°C)</td><td>3</td><td>3</td></tr><tr><td>Z (-55°C)/Z(+20°C)</td><td>4</td><td>3</td></tr></tbody></table> | Rated Voltage (Vdc) | 6.3, 10, 16 | 25, 35, 50, 63, 80, 100 | Z (-25°C)/Z(+20°C) | 2 | 2 | Z (-40°C)/Z(+20°C) | 3 | 3 | Z (-55°C)/Z(+20°C) | 4 | 3 | | | | | | |
| Rated Voltage (Vdc) | 6.3, 10, 16 | 25, 35, 50, 63, 80, 100 | | | | | | | | | | | | | | | | | |
| Z (-25°C)/Z(+20°C) | 2 | 2 | | | | | | | | | | | | | | | | | |
| Z (-40°C)/Z(+20°C) | 3 | 3 | | | | | | | | | | | | | | | | | |
| Z (-55°C)/Z(+20°C) | 4 | 3 | | | | | | | | | | | | | | | | | |
| Life Test | 2000 h @ 105 °C, 8.0 — 10.0 mm dia. 5000 h @ 105 °C, 12.5 — 18.0 mm dia. Δ Capacitance ±30% DF: ≤ 200% of limit DCL: ≤ 100% of limit | | | | | | | | | | | | | | | | | | |
| Shelf Test | 1000 h @ 105 °C Δ Capacitance ±30% DF: ≤ 200% of limit DCL: ≤ 100% of limit | | | | | | | | | | | | | | | | | | |
| High Vibration Test | Capacitors with the high vibration base will pass a 30 G acceleration test from 5 Hz to 2000 Hz with a max. amplitude of 5 mm (peak to peak) for 2 hours each in the X,Y and Z directions for a total of 6 hours. During the last 30 minutes of the test, the measured capacitance shall be stable. After the test the capacitor shall meet the following: ΔC at 120 Hz - Capacitance value will be within 5% of the initial value. There will be no significant change in appearance. | | | | | | | | | | | | | | | | | | |
| Regulatory Information | | | | | | | | | | | | | | | | | | | |

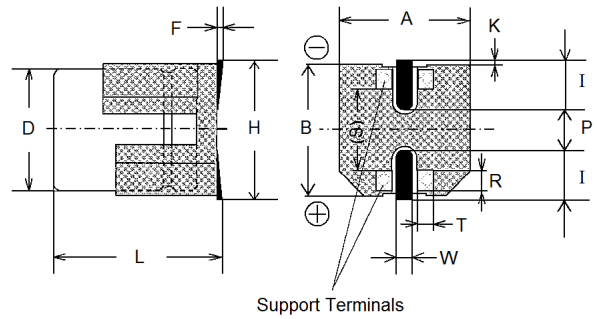
Type AFK_V, -55 °C to 105 °C, High Vibration

SMT Aluminum Electrolytic Capacitors - Lowest E.S.R., 105 °C

AFK Series Marking



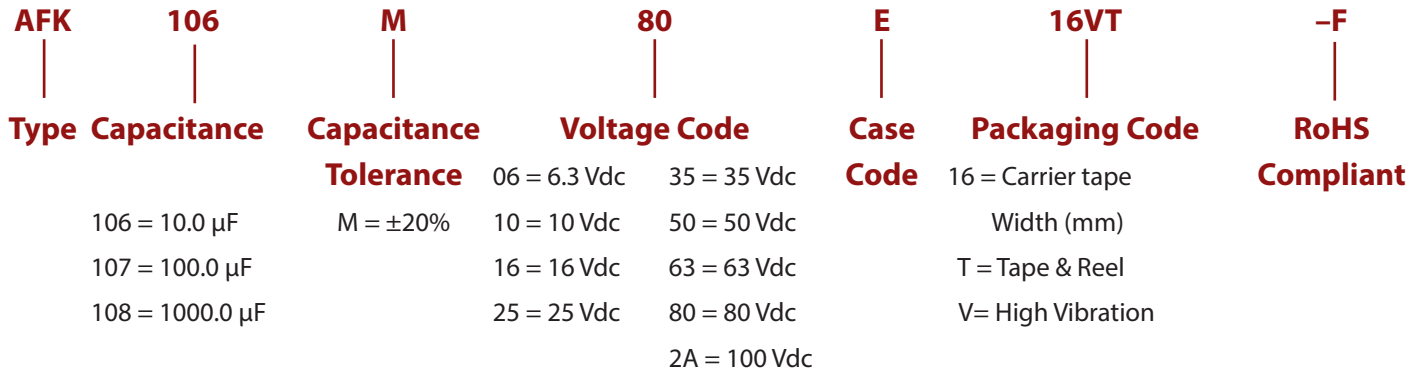
Outline Drawing



Case Dimensions

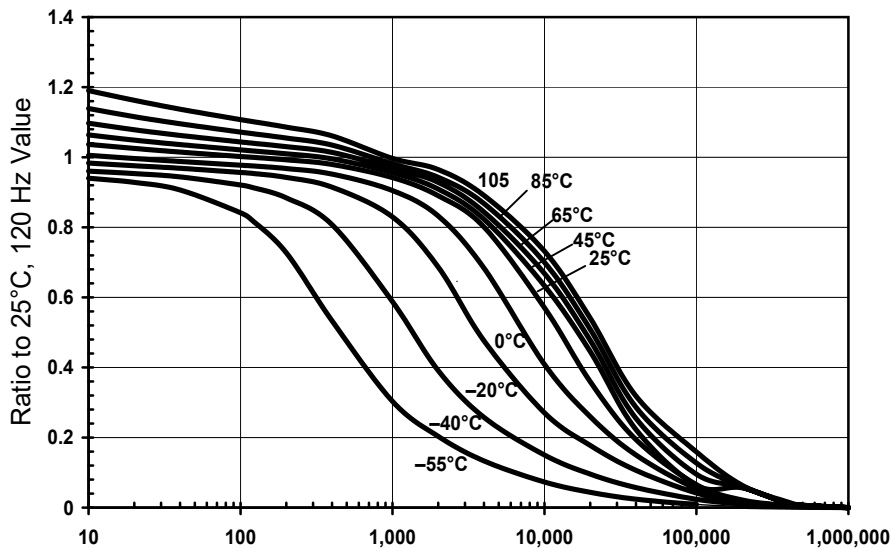
| Size Code | D ± 0.5 | L | A ± 0.2 | B ± 0.2 | H max. | F | I | w | P | K | R ± 0.2 | S ± 0.2 | T ± 0.2 |
|-----------|---------|------------|---------|---------|--------|---------------|-----|-----------|-----|-----------|---------|---------|---------|
| E | 8 | 6.5 ± 0.3 | 8.3 | 8.3 | 9.5 | 0 to +0.15 | 3.4 | 0.7 ± 0.1 | 2.2 | .35 ± 0.2 | 0.70 | 5.3 | 1.7 |
| F | 8 | 10.5 ± 0.3 | 8.3 | 8.3 | 10 | 0 to +0.15 | 3.4 | 1.2 ± 0.2 | 3.1 | .70 ± 0.2 | 0.70 | 5.3 | 1.3 |
| G | 10 | 10.5 ± 0.3 | 10.3 | 10.3 | 12 | 0 to +0.15 | 3.5 | 1.2 ± 0.2 | 4.6 | .70 ± 0.2 | 0.70 | 6.9 | 1.3 |
| H | 12.5 | 13.8 ± 0.5 | 13.5 | 13.5 | 15 | -0.1 to +0.15 | 4.7 | 1.2 ± 0.3 | 4.4 | .70 ± 0.3 | 2.2 | 7.1 | 2.4 |
| P | 16 | 16.8 ± 0.5 | 17 | 17 | 19 | -0.1 to +0.15 | 5.5 | 1.4 ± 0.2 | 6.7 | .70 ± 0.3 | 3.0 | 9.0 | 1.9 |
| R | 18 | 16.8 ± 0.5 | 19 | 19 | 21 | -0.1 to +0.15 | 6.7 | 1.4 ± 0.2 | 6.7 | .70 ± 0.3 | 3.0 | 11.0 | 1.9 |

Part Numbering System



Typical Performance Curves

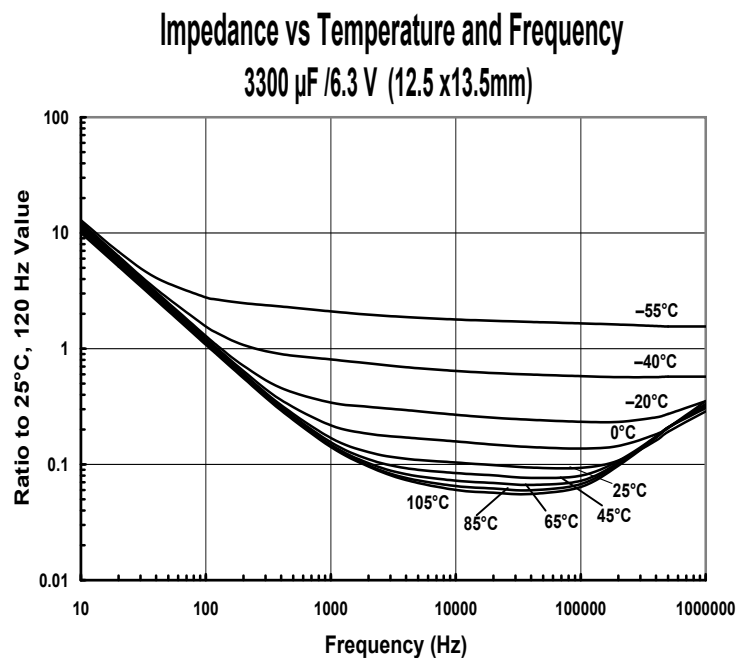
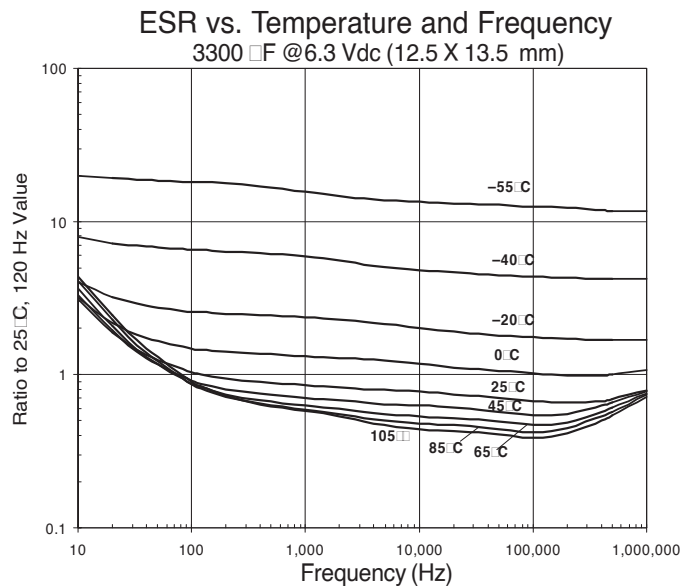
Capacitance vs. Temperature and Frequency
 3300μF/6.3Vdc (12.5 x 13.5 mm)



Type AFK_V, -55 °C to 105 °C, High Vibration

SMT Aluminum Electrolytic Capacitors - Lowest E.S.R., 105 °C

Typical Performance Curves



Ratings Table

| Capacitance (μ F) | Catalog Part Number | Max. DCL 2 min. (μ A) | Max. Dissipation Factor @ 120 Hz/20°C | Max. ESR @ 100 kHz/20°C (Ω) | Impedance @ 100 kHz/20°C (Ω) | Max. Ripple Current @ 100 kHz/105°C (mA) | Case Code | Size D x L (mm) | Quantity per Reel |
|------------------------------|---------------------|----------------------------|---------------------------------------|--------------------------------------|---------------------------------------|--|-----------|-----------------|-------------------|
| 6.3 Vdc (8 Vdc Surge) | | | | | | | | | |
| 330 | AFK337M06E16VT-F | 20.8 | 0.26 | 0.26 | 0.26 | 300 | E | 8 x 6.5 | 1000 |
| 470 | AFK477M06F24VT-F | 29.6 | 0.26 | 0.16 | 0.16 | 600 | F | 8 x 10.5 | 500 |
| 1000 | AFK108M06F24VT-F | 63 | 0.26 | 0.16 | 0.16 | 600 | F | 8 x 10.5 | 500 |
| 1500 | AFK158M06G24VT-F | 94.8 | 0.26 | 0.08 | 0.08 | 850 | G | 10 x 10.5 | 500 |
| 3300 | AFK338M06H32VT-F | 207.9 | 0.30 | 0.06 | 0.06 | 1100 | H | 12.5 x 13.8 | 200 |
| 6800 | AFK688M06P44VT-F | 428.4 | 0.36 | 0.035 | 0.035 | 1800 | P | 16 x 16.8 | 125 |
| 10 Vdc (13 Vdc Surge) | | | | | | | | | |
| 220 | AFK227M10E16VT-F | 22 | 0.19 | 0.26 | 0.26 | 300 | E | 8 x 6.5 | 1000 |
| 330 | AFK337M10F24VT-F | 33 | 0.19 | 0.16 | 0.16 | 600 | F | 8 x 10.5 | 500 |
| 470 | AFK477M10F24VT-F | 47 | 0.19 | 0.16 | 0.16 | 600 | F | 8 x 10.5 | 500 |
| 680 | AFK687M10F24VT-F | 68 | 0.19 | 0.16 | 0.16 | 600 | F | 8 x 10.5 | 500 |
| 1000 | AFK108M10G24VT-F | 100 | 0.19 | 0.08 | 0.08 | 850 | G | 10 x 10.5 | 500 |
| 2200 | AFK228M10H32VT-F | 220 | 0.21 | 0.06 | 0.06 | 1100 | H | 12.5 x 13.8 | 200 |
| 4700 | AFK478M10P44VT-F | 470 | 0.25 | 0.035 | 0.035 | 1800 | P | 16 x 16.8 | 125 |
| 6800 | AFK688M10R44VT-F | 680 | 0.29 | 0.033 | 0.033 | 2060 | R | 18 x 16.8 | 125 |
| 16 Vdc (20 Vdc Surge) | | | | | | | | | |
| 220 | AFK227M16E16VT-F | 35.2 | 0.16 | 0.26 | 0.26 | 300 | E | 8 x 6.5 | 1000 |
| 330 | AFK337M16F24VT-F | 52.8 | 0.16 | 0.16 | 0.16 | 600 | F | 8 x 10.5 | 500 |
| 470 | AFK477M16F24VT-F | 75.2 | 0.16 | 0.16 | 0.16 | 600 | F | 8 x 10.5 | 500 |
| 680 | AFK687M16G24VT-F | 108.8 | 0.16 | 0.08 | 0.08 | 850 | G | 10 x 10.5 | 500 |
| 1500 | AFK158M16H32VT-F | 240 | 0.16 | 0.06 | 0.06 | 1100 | H | 12.5 x 13.8 | 200 |
| 3300 | AFK338M16P44VT-F | 528 | 0.2 | 0.035 | 0.035 | 1800 | P | 16 x 16.8 | 125 |
| 4700 | AFK478M16R44VT-F | 752 | 0.22 | 0.033 | 0.033 | 2060 | R | 18 x 16.8 | 125 |

Type AFK_V, -55 °C to 105 °C, High Vibration

SMT Aluminum Electrolytic Capacitors - Lowest E.S.R., 105 °C

| Capacitance (µF) | Catalog Part Number | Max. DCL 2 min. (µA) | Max. Dissipation Factor @120 Hz/20°C | Max. ESR @100 kHz/20°C (Ω) | Impedance @100 kHz/20°C (Ω) | Max. Ripple Current @100 kHz/105°C (mA) | Case Code | Size D x L (mm) | Quantity per Reel |
|------------------------------|---------------------|----------------------|--------------------------------------|----------------------------|-----------------------------|---|-----------|-----------------|-------------------|
| 25 Vdc (31 Vdc Surge) | | | | | | | | | |
| 100 | AFK107M25E16VT-F | 25 | 0.14 | 0.26 | 0.26 | 300 | E | 8 x 6.5 | 1000 |
| 150 | AFK157M25F24VT-F | 37.5 | 0.14 | 0.16 | 0.16 | 600 | F | 8 x 10.5 | 500 |
| 220 | AFK227M25F24VT-F | 55 | 0.14 | 0.16 | 0.16 | 600 | F | 8 x 10.5 | 500 |
| 330 | AFK337M25F24VT-F | 82.5 | 0.14 | 0.16 | 0.16 | 600 | F | 8 x 10.5 | 500 |
| 470 | AFK477M25G24VT-F | 117.5 | 0.14 | 0.08 | 0.08 | 850 | G | 10 x 10.5 | 500 |
| 1000 | AFK108M25H32VT-F | 250 | 0.14 | 0.06 | 0.06 | 1100 | H | 12.5 x 13.8 | 200 |
| 1500 | AFK158M25P44VT-F | 375 | 0.14 | 0.035 | 0.035 | 1800 | P | 16 x 16.8 | 125 |
| 2200 | AFK228M25P44VT-F | 550 | 0.16 | 0.035 | 0.035 | 1800 | P | 16 x 16.8 | 125 |
| 3300 | AFK338M25R44VT-F | 825 | 0.18 | 0.033 | 0.033 | 2060 | R | 18 x 16.8 | 125 |
| 35 Vdc (44 Vdc Surge) | | | | | | | | | |
| 100 | AFK107M35F24VT-F | 35 | 0.12 | 0.16 | 0.16 | 600 | F | 8 x 10.5 | 500 |
| 150 | AFK157M35F24VT-F | 52.5 | 0.12 | 0.16 | 0.16 | 600 | F | 8 x 10.5 | 500 |
| 220 | AFK227M35F24VT-F | 77 | 0.12 | 0.16 | 0.16 | 600 | F | 8 x 10.5 | 500 |
| 330 | AFK337M35G24VT-F | 115.5 | 0.12 | 0.08 | 0.08 | 850 | G | 10 x 10.5 | 500 |
| 470 | AFK477M35H32VT-F | 164.5 | 0.12 | 0.06 | 0.06 | 1100 | H | 12.5 x 13.8 | 200 |
| 680 | AFK687M35H32VT-F | 238 | 0.12 | 0.06 | 0.06 | 1100 | H | 12.5 x 13.8 | 200 |
| 1000 | AFK108M35P44VT-F | 350 | 0.12 | 0.035 | 0.035 | 1800 | P | 16 x 16.8 | 125 |
| 1500 | AFK158M35P44VT-F | 525 | 0.12 | 0.035 | 0.035 | 1800 | P | 16 x 16.8 | 125 |
| 50 Vdc (63 Vdc Surge) | | | | | | | | | |
| 33 | AFK336M50E16VT-F | 16.5 | 0.1 | 0.68 | 0.68 | 195 | E | 8 x 6.5 | 1000 |
| 47 | AFK476M50E16VT-F | 23.5 | 0.1 | 0.68 | 0.68 | 195 | E | 8 x 6.5 | 1000 |
| 100 | AFK107M50F24VT-F | 50 | 0.1 | 0.34 | 0.34 | 350 | F | 8 x 10.5 | 500 |
| 150 | AFK157M50G24VT-F | 75 | 0.1 | 0.18 | 0.18 | 670 | G | 10 x 10.5 | 500 |
| 220 | AFK227M50G24VT-F | 110 | 0.1 | 0.18 | 0.18 | 670 | G | 10 x 10.5 | 500 |
| 330 | AFK337M50H32VT-F | 165 | 0.1 | 0.12 | 0.12 | 900 | H | 12.5 x 13.8 | 200 |
| 390 | AFK397M50H32VT-F | 195 | 0.1 | 0.12 | 0.12 | 900 | H | 12.5 x 13.8 | 200 |
| 470 | AFK477M50P44VT-F | 235 | 0.1 | 0.073 | 0.073 | 1610 | P | 16 x 16.8 | 125 |
| 560 | AFK567M50P44VT-F | 280 | 0.1 | 0.073 | 0.073 | 1610 | P | 16 x 16.8 | 125 |
| 680 | AFK687M50P44VT-F | 340 | 0.1 | 0.073 | 0.073 | 1610 | P | 16 x 16.8 | 125 |
| 1000 | AFK108M50P44VT-F | 500 | 0.1 | 0.073 | 0.073 | 1610 | P | 16 x 16.8 | 125 |
| 63 Vdc (75 Vdc Surge) | | | | | | | | | |
| 22 | AFK226M63E16VT-F | 13.9 | 0.08 | 1.2 | 1.2 | 120 | E | 8 x 6.5 | 1000 |
| 33 | AFK336M63F24VT-F | 20.8 | 0.08 | 0.65 | 0.65 | 250 | F | 8 x 10.5 | 500 |
| 47 | AFK476M63F24VT-F | 29.6 | 0.08 | 0.65 | 0.65 | 250 | F | 8 x 10.5 | 500 |
| 68 | AFK686M63G24VT-F | 42.8 | 0.08 | 0.35 | 0.35 | 400 | G | 10 x 10.5 | 500 |
| 100 | AFK107M63G24VT-F | 63 | 0.08 | 0.35 | 0.35 | 400 | G | 10 x 10.5 | 500 |
| 150 | AFK157M63H32VT-F | 94.5 | 0.08 | 0.16 | 0.16 | 800 | H | 12.5 x 13.8 | 200 |
| 220 | AFK227M63H32VT-F | 138.6 | 0.08 | 0.16 | 0.16 | 800 | H | 12.5 x 13.8 | 200 |
| 470 | AFK477M63P44VT-F | 296.1 | 0.08 | 0.082 | 0.082 | 1410 | P | 16 x 16.8 | 125 |
| 680 | AFK687M63R44VT-F | 428.4 | 0.08 | 0.08 | 0.08 | 1690 | R | 18 x 16.8 | 125 |

Note: ≥50V, 8 and 10 mm Dia.; 235°C peak solder temperature

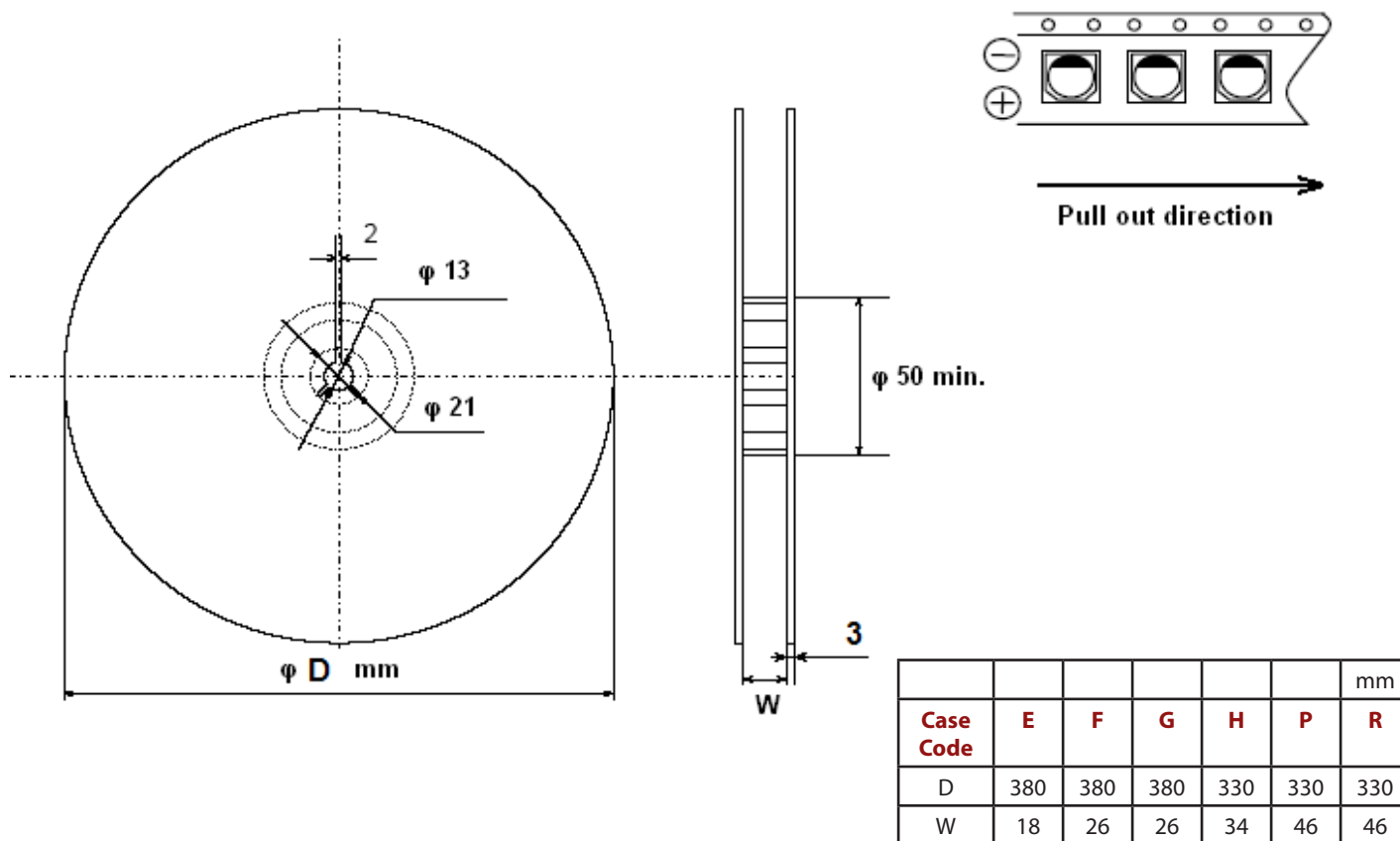
Type AFK_V, -55 °C to 105 °C, High Vibration

SMT Aluminum Electrolytic Capacitors - Lowest E.S.R., 105 °C

| Capacitance (μF) | Catalog Part Number | Max. DCL 2 min. (μA) | Max. Dissipation Factor @120 Hz/20°C | Max. ESR @100 kHz/20°C (Ω) | Impedance @100 kHz/20°C (Ω) | Max. Ripple Current @100 kHz/105°C (mA) | Case Code | Size D x L (mm) | Quantity per Reel |
|--------------------------------|---------------------|----------------------|--------------------------------------|----------------------------|-----------------------------|---|-----------|-----------------|-------------------|
| 80 Vdc (100 Vdc Surge) | | | | | | | | | |
| 10 | AFK106M80E16VT-F | 8 | 0.08 | 2.4 | 2.4 | 60 | E | 8 x 6.5 | 1000 |
| 22 | AFK226M80F24VT-F | 17.6 | 0.08 | 1.3 | 1.3 | 130 | F | 8 x 10.5 | 500 |
| 33 | AFK336M80F24VT-F | 26.4 | 0.08 | 1.3 | 1.3 | 130 | F | 8 x 10.5 | 500 |
| 47 | AFK476M80G24VT-F | 37.6 | 0.08 | 0.7 | 0.7 | 200 | G | 10 x 10.5 | 500 |
| 68 | AFK686M80H32VT-F | 54.4 | 0.08 | 0.32 | 0.32 | 500 | H | 12.5 x 13.8 | 200 |
| 100 | AFK107M80H32VT-F | 80 | 0.08 | 0.32 | 0.32 | 500 | H | 12.5 x 13.8 | 200 |
| 150 | AFK157M80H32VT-F | 120 | 0.08 | 0.32 | 0.32 | 500 | H | 12.5 x 13.8 | 200 |
| 330 | AFK337M80P44VT-F | 264 | 0.08 | 0.17 | 0.17 | 793 | P | 16 x 16.8 | 125 |
| 470 | AFK477M80R44VT-F | 376 | 0.08 | 0.15 | 0.15 | 917 | R | 18 x 16.8 | 125 |
| 100 Vdc (125 Vdc Surge) | | | | | | | | | |
| 22 | AFK226M2AF24VT-F | 22 | 0.07 | 1.3 | 1.3 | 130 | F | 8 x 10.5 | 500 |
| 33 | AFK336M2AG24VT-F | 33 | 0.07 | 0.7 | 0.7 | 200 | G | 10 x 10.5 | 500 |
| 47 | AFK476M2AH32VT-F | 47 | 0.07 | 0.32 | 0.32 | 500 | H | 12.5 x 13.8 | 200 |
| 68 | AFK686M2AH32VT-F | 68 | 0.07 | 0.32 | 0.32 | 500 | H | 12.5 x 13.8 | 200 |
| 100 | AFK107M2AP44VT-F | 100 | 0.07 | 0.17 | 0.17 | 793 | P | 16 x 16.8 | 125 |
| 150 | AFK157M2AP44VT-F | 150 | 0.07 | 0.17 | 0.17 | 793 | P | 16 x 16.8 | 125 |
| 220 | AFK227M2AR44VT-F | 220 | 0.07 | 0.15 | 0.15 | 917 | R | 18 x 16.8 | 125 |
| 330 | AFK337M2AR44VT-F | 330 | 0.07 | 0.15 | 0.15 | 917 | R | 18 x 16.8 | 125 |

Note: ≥50V, 8 and 10 mm Dia.; 235°C peak solder temperature

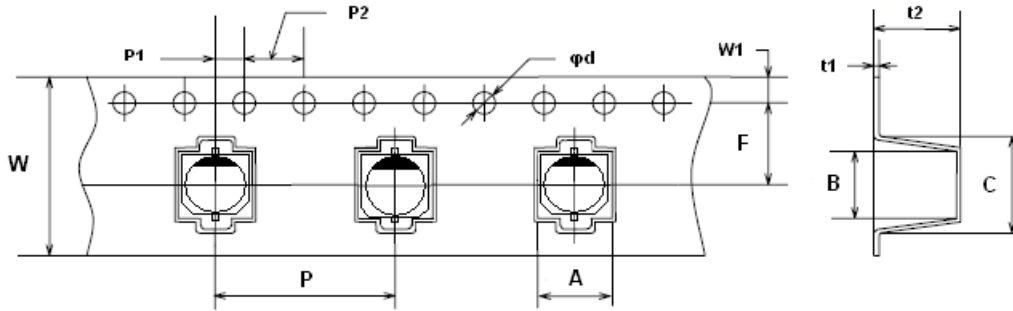
Reel Dimensions



Type AFK_V, -55 °C to 105 °C, High Vibration

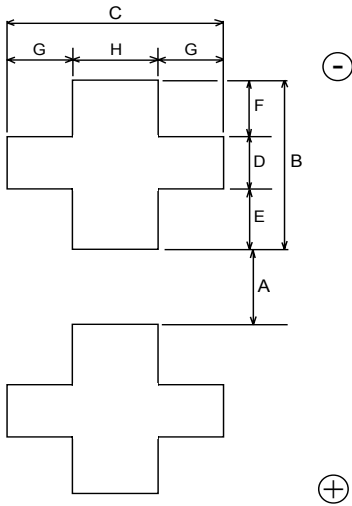
SMT Aluminum Electrolytic Capacitors - Lowest E.S.R., 105 °C

Case Code E, F and G Tape Dimensions



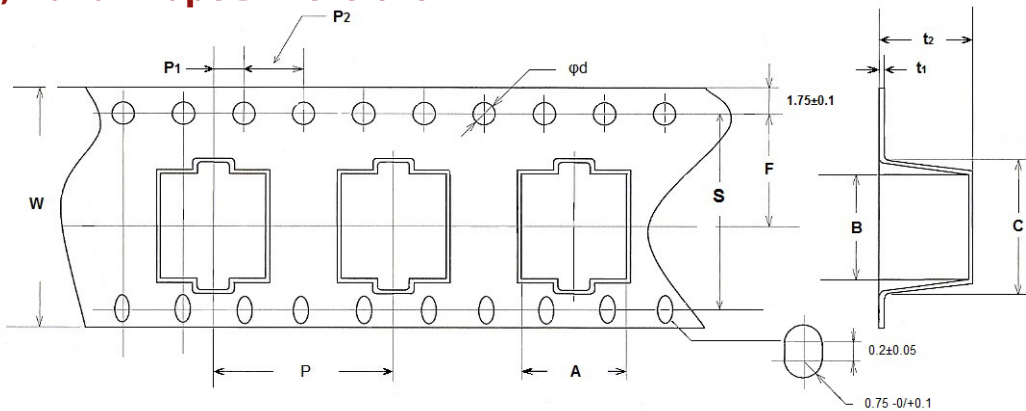
| Case Size | Case Code | W ± 0.3 | A ± 0.2 | B +0.3/-0.2 | C ± 0.2 | F ± 0.1 | P ± 0.1 | t1 | t2 ± 0.2 | φd +0.1/-0 | P1 ± 0.1 | P2 ± 0.1 | W1 ± 0.1 |
|-----------|-----------|---------|---------|-------------|---------|---------|---------|-----|----------|------------|----------|----------|----------|
| 8 x 6.2 | E | 16 | 8.7 | 8.7 | 11.4 | 7.5 | 12 | 0.4 | 6.8 | 1.5 | 2 | 4 | 1.75 |
| 8 x 10.2 | F | 24 | 8.7 | 8.7 | 12.5 | 11.5 | 16 | | 11 | | | | |
| 10 x 10.2 | G | | 10.7 | 10.7 | 14.5 | | | | | | | | |

Recommended Land Dimensions



| Case Code | Case Dia. | A | B | C | D | E | F | G | H |
|-----------|-----------|-----|-----|-----|-----|-----|-----|-----|-----|
| E | 8 | 1.8 | 4.1 | 5.0 | 1.3 | 1.5 | 1.4 | 1.5 | 2.0 |
| F | 8 | 2.7 | 4.0 | 4.7 | 1.3 | 1.0 | 1.7 | 1.1 | 2.5 |
| G | 10 | 3.9 | 4.4 | 4.7 | 1.3 | 1.2 | 1.9 | 1.1 | 2.5 |
| H | 12.5 | 3.9 | 6.0 | 6.9 | 2.8 | 1.3 | 1.9 | 2.2 | 2.5 |
| P | 16 | 5.8 | 6.8 | 6.2 | 3.6 | 1.3 | 1.9 | 1.7 | 2.8 |
| R | 18 | 5.8 | 7.3 | 6.2 | 3.6 | 1.8 | 1.9 | 1.7 | 2.8 |

Case Code H, P and R Tape Dimensions

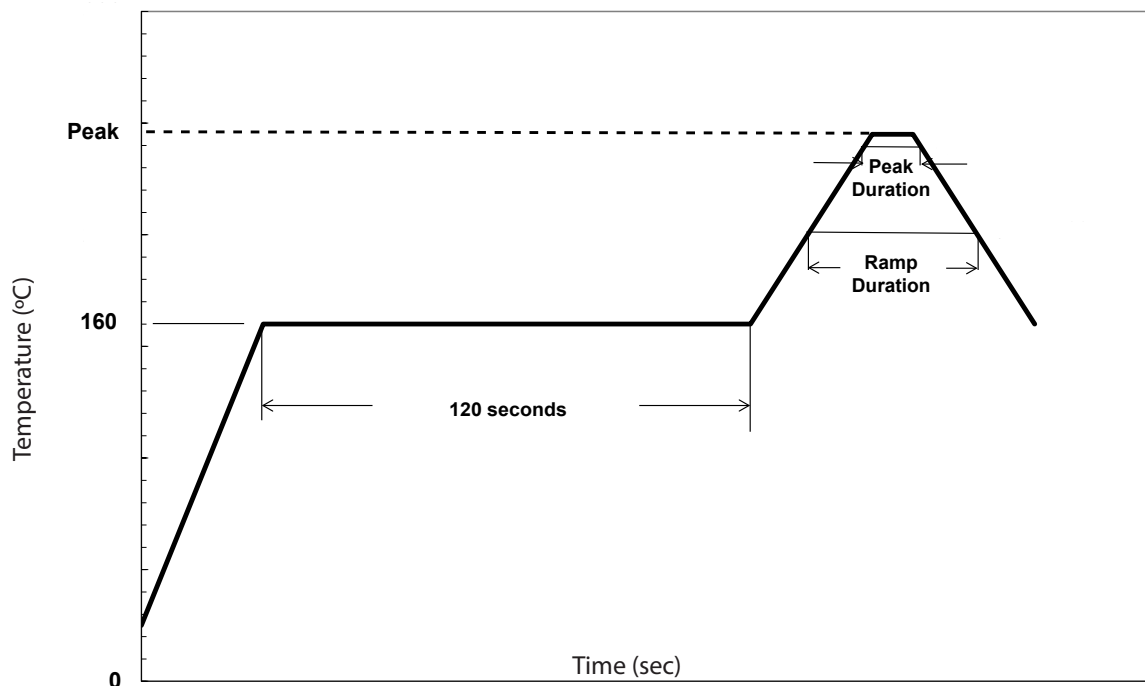


| Case Size | Case Code | W ± 0.3 | A ± 0.5 | B ± 0.5 | C ± 0.5 | F ± 0.1 | S ± 0.1 | P ± 0.1 | t1 | t2 ± 0.2 | φd +0.1/-0 | P1 ± 0.1 | P2 ± 0.1 |
|-------------|-----------|---------|---------|---------|---------|---------|---------|---------|-----|----------|------------|----------|----------|
| 12.5 x 13.5 | H | 32 | 14.0 | 14.0 | 18.0 | 14.2 | 28.4 | 24 | 0.5 | 14.5 | 1.5 | 2 | 4 |
| 16 x 16.5 | P | 44 | 17.5 | 17.5 | 23.00 | 20.2 | 40.4 | 28 | | 17.5 | | | |
| 18 x 16.5 | R | | 19.5 | 19.5 | 26.00 | | | 32 | | | | | |

Type AFK_V, -55 °C to 105 °C, High Vibration

SMT Aluminum Electrolytic Capacitors - Lowest E.S.R., 105 °C

Recommended Reflow Soldering



| Case Code | Diameter (mm) | Voltage (Vdc) | Peak Temp | Peak Temp Duration | Ramp Temp Duration | Number of Reflows |
|-----------|---------------|---------------|-----------|--------------------|------------------------------|-------------------|
| E, F, G | 8 - 10 | 6.3 - 35 | 260°C | ≥250°C, 5 s | ≥230°C, 30 s ≥200°C, 70 s | 1 |
| | | 50 - 100 | 235°C | 5 s | ≥200°C, 60 s | 1 |
| H, P, R | 12.5 - 18 | 6.3 - 35 | 245°C | ≥240°C, 30 s | ≥217°C, 90 s | 2 |
| | | 50 - 63 | 245°C | ≥240°C, 5 s | ≥217°C, 30 s | 2 |
| | | 80 - 100 | 245°C | ≥240°C, 5 s | ≥217°C, 30 s | 1 |

Type AFK_V, -55 °C to 105 °C, High Vibration

SMT Aluminum Electrolytic Capacitors - Lowest E.S.R., 105 °C

Notice and Disclaimer: All product drawings, descriptions, specifications, statements, information and data (collectively, the "Information") in this datasheet or other publication are subject to change. The customer is responsible for checking, confirming and verifying the extent to which the Information contained in this datasheet or other publication is applicable to an order at the time the order is placed. All Information given herein is believed to be accurate and reliable, but it is presented without any guarantee, warranty, representation or responsibility of any kind, expressed or implied. Statements of suitability for certain applications are based on the knowledge that the Cornell Dubilier company providing such statements ("Cornell Dubilier") has of operating conditions that such Cornell Dubilier company regards as typical for such applications, but are not intended to constitute any guarantee, warranty or representation regarding any such matter – and Cornell Dubilier specifically and expressly disclaims any guarantee, warranty or representation concerning the suitability for a specific customer application, use, storage, transportation, or operating environment. The Information is intended for use only by customers who have the requisite experience and capability to determine the correct products for their application. Any technical advice inferred from this Information or otherwise provided by Cornell Dubilier with reference to the use of any Cornell Dubilier products is given gratis (unless otherwise specified by Cornell Dubilier), and Cornell Dubilier assumes no obligation or liability for the advice given or results obtained. Although Cornell Dubilier strives to apply the most stringent quality and safety standards regarding the design and manufacturing of its products, in light of the current state of the art, isolated component failures may still occur. Accordingly, customer applications which require a high degree of reliability or safety should employ suitable designs or other safeguards (such as installation of protective circuitry or redundancies or other appropriate protective measures) in order to ensure that the failure of an electrical component does not result in a risk of personal injury or property damage. Although all product-related warnings, cautions and notes must be observed, the customer should not assume that all safety measures are indicated in such warnings, cautions and notes, or that other safety measures may not be required.