

1

2

3

4

5

6

7

A

A

B

B

C

C

D

D

E

E

F

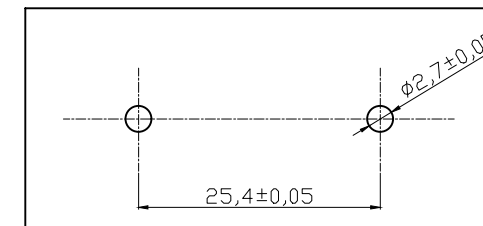
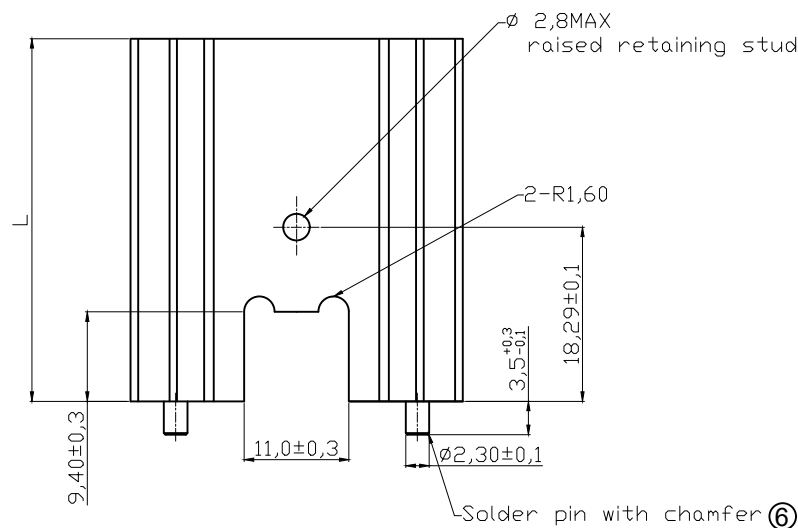
F

G

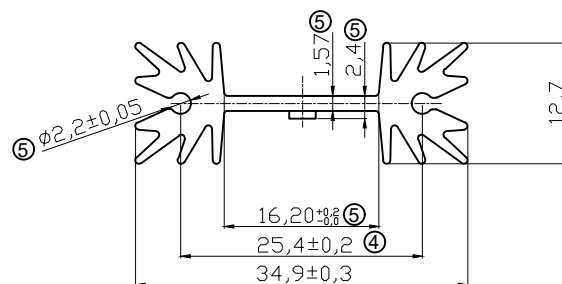
G

H

H



⑥ Recommended PCB Layout



Material : AL 6063-T5

⑦ PIN: 1010 TIN PLATED

Finished: Black anodized

Unmarked round angle R is 5mm.

Option	L	Thermal resistance(K/W)
V7477WC	25.4	14
V7477XC	38.1	11
V7477YC	50.8	9
V7477ZC	63.5	7

RoHS compliant
Unit: mm

Scale	FREE	⑦	Correct the pin material of the drawing	06.12.2024	Segal	Date	Name	Customer-No.
TOLERANCE		⑥	Add PCB layout information	24.02.2014	Amy	Drawn	11.08.2009	ASSMANN WSW-No. V7477xC
X.	±X	⑤	Change production plant	07.06.2013	Amy	Approved	06.12.2024	
X.X	±X	④	Modify dimation	09.05.2011	Jason			Drawing-No. ASS 0867 HS
UNIT	±0.2	③	Modify dimation	20.07.2010	Alex			
DIM	Tol	②	Modify drawing layout	10.03.2010	Alex			Replace
X.°	±X°	Id.	Modification	Date	Name	 A company of 		
X.X°	±X°							Sheet
Angle	TOL							

1

2

3

4

5

6

7