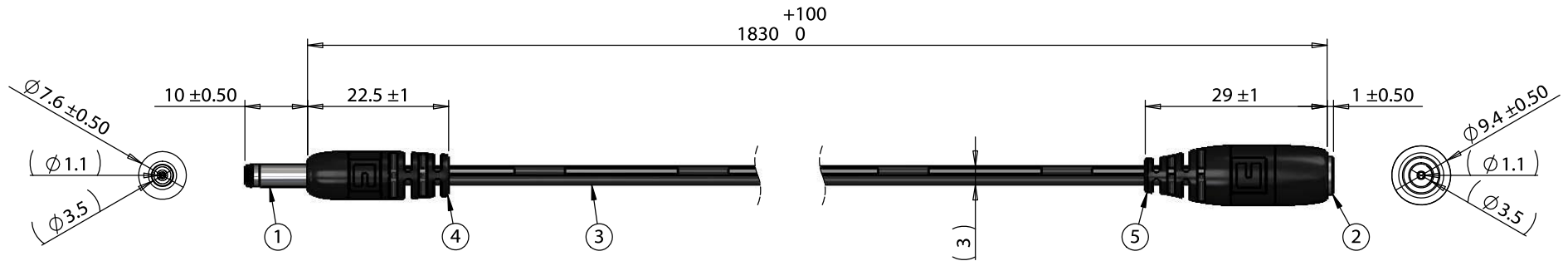


| ITEM NO. | PART NUMBER | DESCRIPTION | QTY. | COMPONENT NOTES |
|----------|-------------|--|------|-----------------|
| 1 | 50-00105 | Connector, dc plug, 3.5x1.1xL18.8 mm, molding style, spring contacts | 1 | |
| 2 | 50-00045 | Connector, dc jack, 3.5x1.1xL16.5 mm, molding style | 1 | |
| 3 | 30-00404 | Wire, 2C TS, 24 AWG, UL2468, 300V, 80C, 3.0 mm, VW-1, PVC, 87A | 1 | |
| 4 | 24-00002 | Overmold, PVC | 1 | black |
| 5 | 24-00005 | Overmold, PVC | 1 | black |



Notes:
Functionally equivalent components may be substituted

| Wiring Diagram | | |
|----------------|-------------------|----------|
| 50-00105 | wire color | 50-00045 |
| center | black with stripe | center |
| sleeve | black | sleeve |

| | | | | | |
|-----------|------------|-----------------|--|---|--|
| Revision: | Date: | Description: | Prepared: | Notes: | <h1>TENSILITY</h1> <p>tel 1.541.323.3228 800 877.670.7118 fax 1.541.323.4202 web tensility.com</p> |
| A | 01/24/2018 | Initial release | GL <small>Digitally signed by GL Date: 2018.03.07 09:56:55 -08'00'</small> | | |
| | | | Verified: | Function test: no open, no short circuit, no intermittent | |
| | | | JP <small>Digitally signed by JP Date: 2018.03.07 11:07:06 -08'00'</small> | Description: | Size: Part number: |
| | | | Dimensions are in millimeters. Tolerances: X: ± 0.5 mm X.X: ± 0.3 mm X.XX: ± 0.05 mm | Cable, 1830 mm, 3.5x1.1x10 mm 50-00105 dc plug to 3.5x1.1 mm 50-00045 dc jack, 24 AWG, UL2468 | A 10-02525 |
| | | | | | Scale: 1:1 Sheet 1 of 1 |

5

4

3

2

1