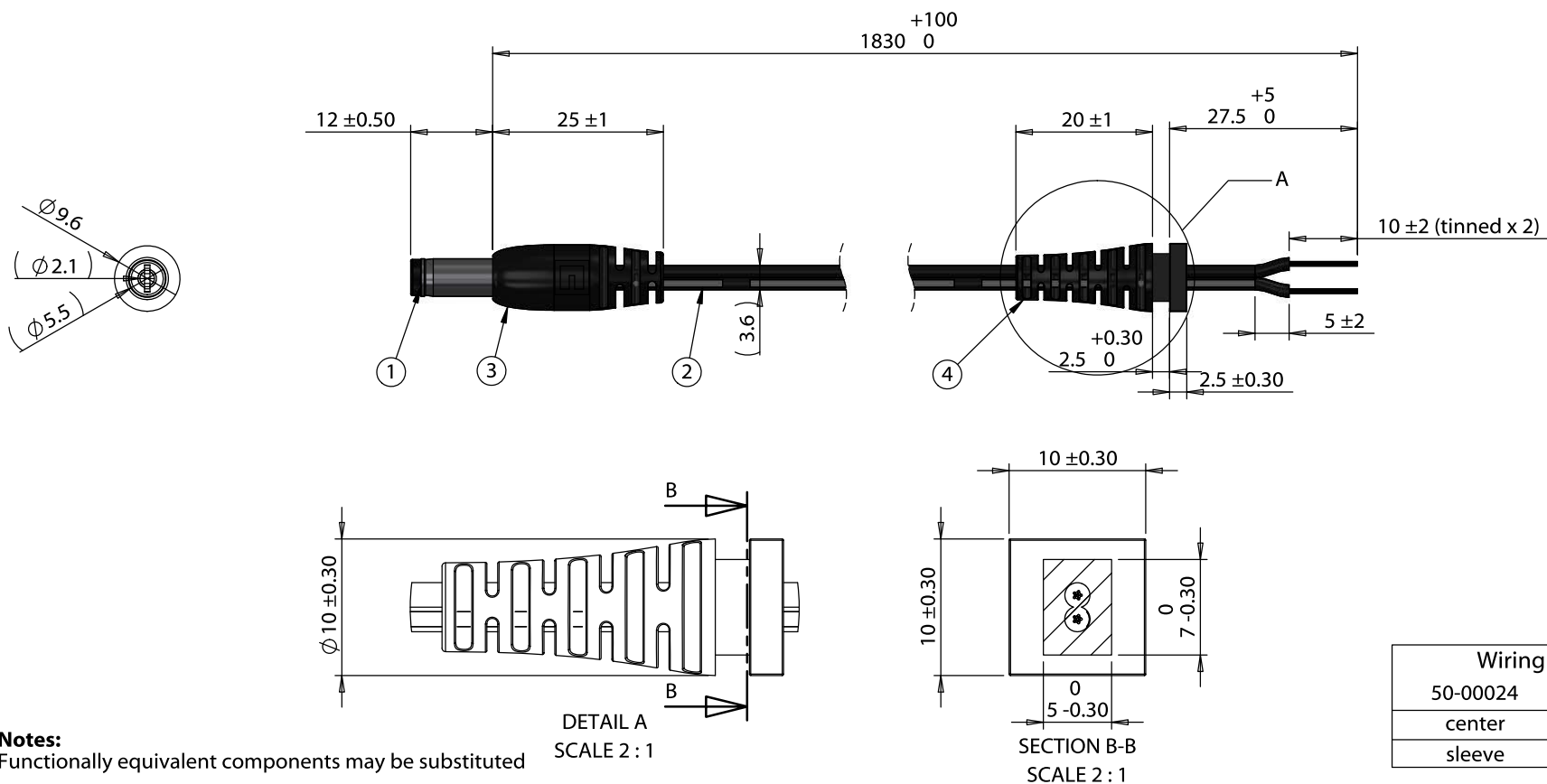


ITEM NO.	PART NUMBER	DESCRIPTION	QTY.	COMPONENT NOTES
1	50-00024	Connector, dc plug, 5.5x2.1xL23 mm, molding style, spring contacts	1	
2	30-00003	Wire, 2C BC, 24 AWG, UL2468, 300V, 80C, 3.6 mm, VW-1, PVC, 76A	1	
3	24-00003	Overmold, PVC	1	black
4	24-00251	Overmold, strain relief, 7x5x2.5 mm bushing, UL2468 wire	1	black



Revision:	Date:	Description:
A	03/28/2018	Initial release

Prepared: GL <small>Digitally signed by GL Date: 2018.04.09 11:58:06 -0700</small>
Verified: JP <small>Digitally signed by JP Date: 2018.04.09 14:34:58 -0700</small>
Dimensions are in millimeters. Tolerances: X: ± 0.5 mm X.X: ± 0.3 mm X.XX: ± 0.05 mm

Notes: RoHS compliant Function test: no open, no short circuit, no intermittent
Description: Cable, 1830 mm, 5.5x2.1x12 mm 50-00024 dc plug to strain relief 10 mm tinned, 24 AWG, UL2468 wire

TENSILITY

tel 1.541.323.3228 800 877.670.7118
fax 1.541.323.4202 web tensility.com

Size: A	Part number: 10-02955
Scale: 1:1	Sheet 1 of 1