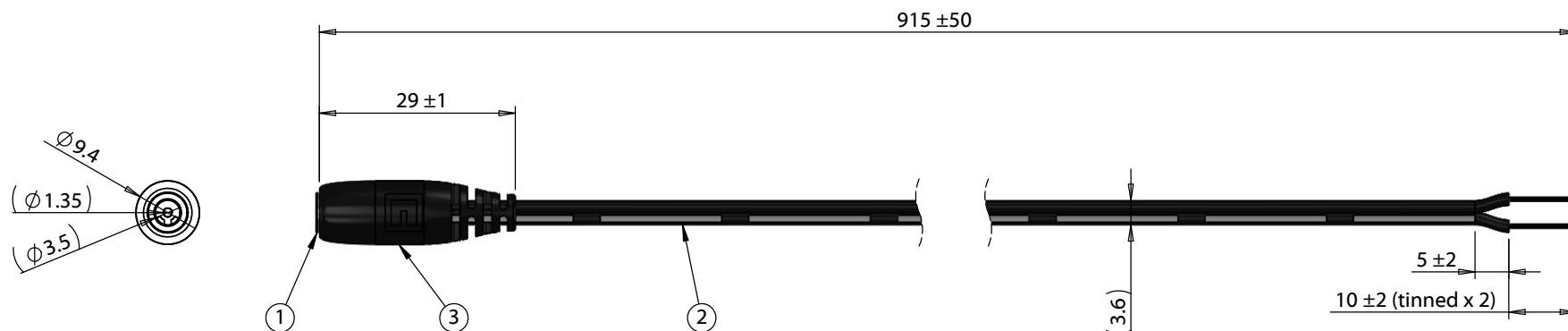


ITEM NO.	PART NUMBER	DESCRIPTION	QTY.	NOTES
1	50-00057	Connector, dc jack, 3.5x1.35xL16.5 mm, molding style	1	
2	30-00003	Wire, 2C BC, 24 AWG, UL2468, 300V, 80C, 3.6 mm, VW-1, PVC, 76A	1	
3	24-00005	Overmold, PVC, black	1	



**Notes:**  
Functionally equivalent components may be substituted  
Cable rated for 48 V, 4.5 A

Wiring diagram	
50-00057	Wire Color
Center	Black with stripe
Sleeve	Black

Revision:	Date:	Description:	Prepared:	Notes: RoHS compliant Function test: no open, no short circuit, no intermittent	<h1>TENSILITY</h1> <p>tel 1.541.323.3228 800 877.670.7118 fax 1.541.323.4202 web tensility.com</p>
A	6/27/2012	Initial release	Verified:		
A1	10/7/2019	Updated cable ratings	Dimensions are in millimeters. Tolerances: X: ± 0.5 mm X.X: ± 0.3 mm X.XX: ± 0.05 mm	Description:	Size: A
				Cable, 915 mm, 3.5x1.35 mm 50-00057 dc jack to stripped tinned, 24 AWG, 30-00003 wire	Part number: 10-01099
					Scale: 1:1

5

4

3

2

1



Sheet 1 of 1