

15 Series

RoHS
Compliant

NYLON 6.6

GENERAL PURPOSE

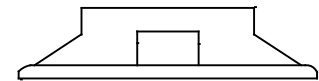
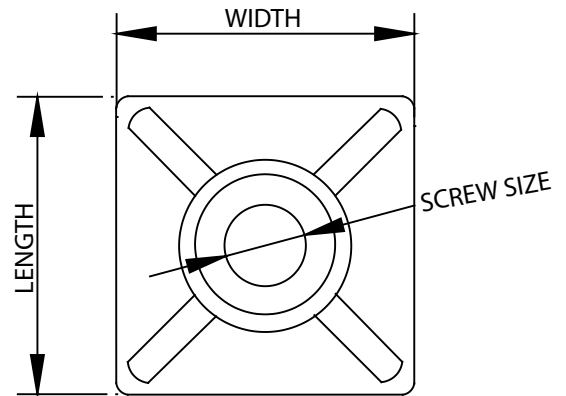
APPLICATION OPERATING TEMPERATURE: -40°C to +85°C

APPROVALS¹:  US

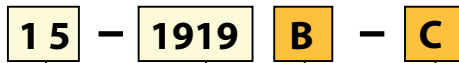


Part Number	Length mm [Inch]	Width mm [Inch]	Screw Size	Cable Ties Width up to mm [Inch]
15-1919	19.0 [.750]	19.0 [.750]	M5 [#10]	3.6 [.140]
15-2525	28.0 [1.10]	28.0 [1.10]	M5 [#10]	4.8 [.189]
15-4040	40.0 [1.50]	40.0 [1.50]	M5 [#10]	9.0 [.354]

Notes:
1. 15-4040 is not UL approved



PART NUMBER SYSTEM



SERIES

SIZE

MATERIAL/COLOR

- N: Natural
- B: Normal UV Black

PACKAGE SIZE

- C: 100PCS
- Number: Other Quantity