

DO NOT SCALE FROM THIS PRINT

TMM-1XX-XX-XX-X-RA-XXX

No OF POSITIONS  
-01 THRU -50 (PER ROW)

TERMINAL SPEC  
-01: USE T-1S13-XX-X-2

OPTION  
POLARIZATION SPECIFY POS  
-XXX AS POS TO BE OMITTED

OPTION  
-RA: RIGHT ANGLE

BODY SPECIFICATION  
-S: SINGLE (USE TMM-50-S)  
-D: DOUBLE (USE TMM-50-D)

PLATING SPECIFICATION

-G: 10µ" IN CONTACT AREA, 10µ" GOLD ON TAIL  
 -T: MATTE TIN CONTACT AND TAIL  
 -S: 30µ" SELECTIVE GOLD IN CONTACT AREA, MATTE TIN ON TAIL  
 -L: 10µ" LIGHT SELECTIVE GOLD IN CONTACT AREA, MATTE TIN ON TAIL  
 -F: 3µ" FLASH SELECTIVE GOLD IN CONTACT AREA, MATTE TIN ON TAIL  
 -H: 30µ" HEAVY GOLD IN CONTACT AREA, 3µ" GOLD ON TAIL  
 -TM: MATTE TIN CONTACT AND TAIL  
 -LM: 10µ" LIGHT SELECTIVE GOLD IN CONTACT AREA, MATTE TIN ON TAIL  
 -FM: 3µ" FLASH GOLD IN CONTACT AREA, MATTE TIN ON TAIL  
 -SM: 30µ" SELECTIVE GOLD IN CONTACT AREA, MATTE TIN ON TAIL

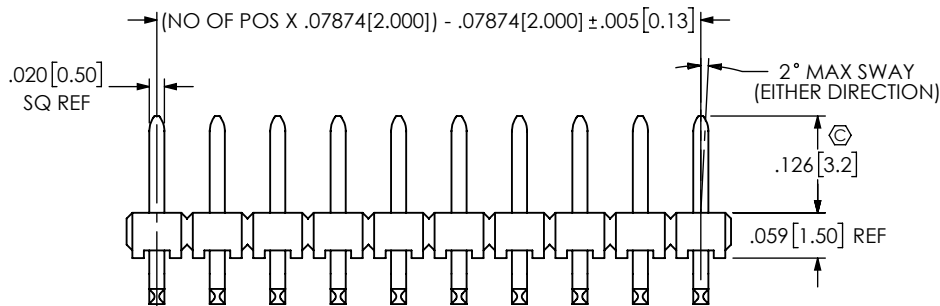
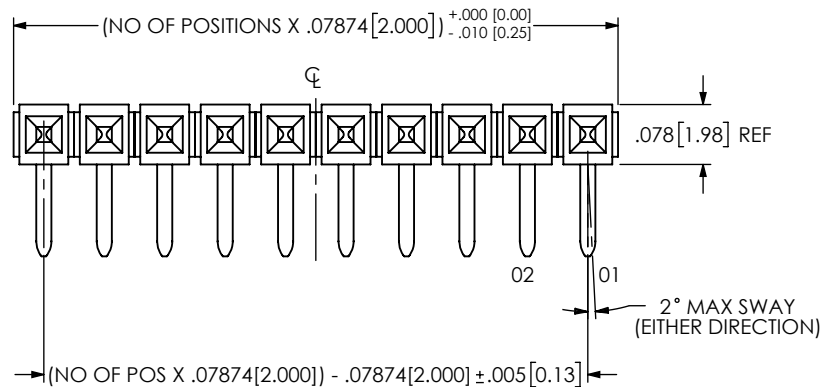
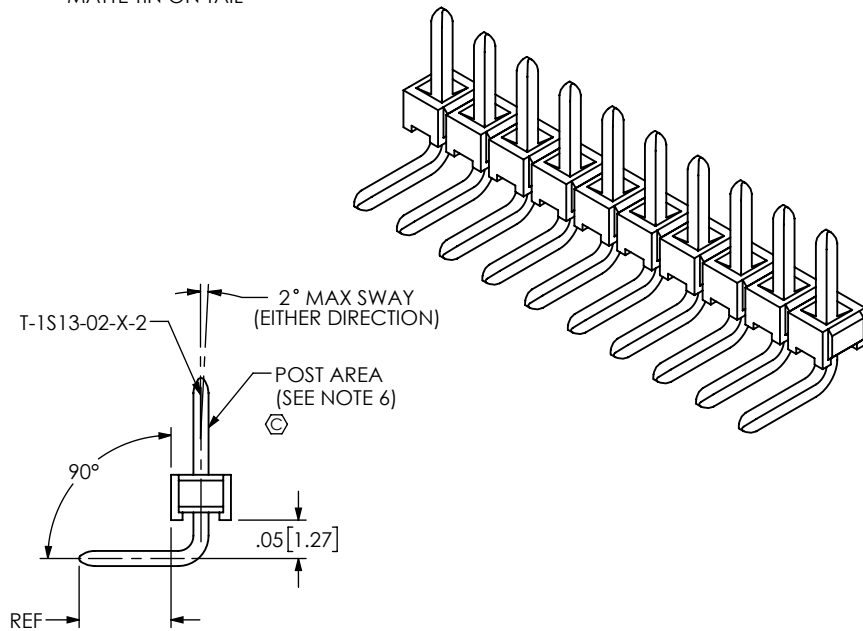


FIG 1  
TMM-110-01-X-S-RA SHOWN



NOTES:

1. MAXIMUM ALLOWABLE BOW: .005 INCH/INCH AFTER ASSEMBLY.
2. MAXIMUM PIN ROTATION IN BODY: 2°.
3. MINIMUM PUSHOUT FORCE: .5 LB.
4. © REPRESENTS A CRITICAL DIMENSION.
5. ALL DIMENSIONS IN BRACKETS [ ] TO BE MILLIMETERS.
6. NO BANDOLIERS MARKS ARE ALLOWED IN THE POST AREA.
7. MAXIMUM CUT FLASH: .010 [0.25].
8. PIN NOT ALLOWED TO FILL FROM TAIL SIDE. PIN TO BE FILLED FROM POST SIDE.

UNLESS OTHERWISE SPECIFIED, DIMENSIONS ARE IN INCHES.  
 TOLERANCES ARE:  
 DECIMALS ANGLES  
 .XX: ±.01 2°  
 .XXX: ±.005  
 .XXXX: ±.0020

PROPRIETARY NOTE  
 THIS DOCUMENT CONTAINS CONFIDENTIAL AND PROPRIETARY INFORMATION AND ALL DESIGN, MANUFACTURING, REPRODUCTION, USE, PATENT RIGHTS AND SALES RIGHTS ARE EXPRESSLY RESERVED BY SAMTEC, INC. THIS DOCUMENT SHALL NOT BE DISCLOSED, IN WHOLE OR PART, TO ANY UNAUTHORIZED PERSON OR ENTITY NOR REPRODUCED, TRANSFERRED OR INCORPORATED IN ANY OTHER PROJECT IN ANY MANNER WITHOUT THE EXPRESS WRITTEN CONSENT OF SAMTEC, INC.



520 PARK EAST BLVD, NEW ALBANY, IN 47150  
 PHONE: 812-944-6733 FAX: 812-948-5047  
 e-Mail: info@SAMTEC.com code 55322

MATERIAL: DO NOT SCALE DRAWING SHEET SCALE: 4:1  
 INSULATOR:  
 -S: TORAY LX70G35, COLOR: BLACK  
 -D: VECTRA E130D2, COLOR: BLACK  
 TERMINAL: PHOSPHER BRONZE

DESCRIPTION:  
 2MM TERMINAL STRIP ASSEMBLY (R/A)

DWG. NO.  
 TMM-1XX-XX-XX-X-RA-XXX  
 BY: REIDINGER 05/22/1991 SHEET 1 OF 2

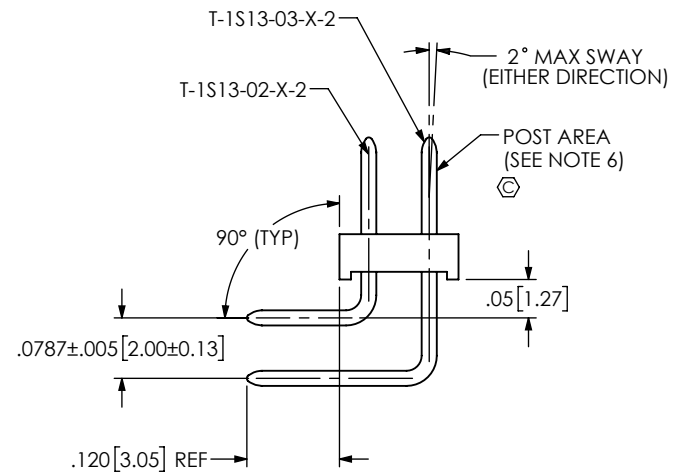
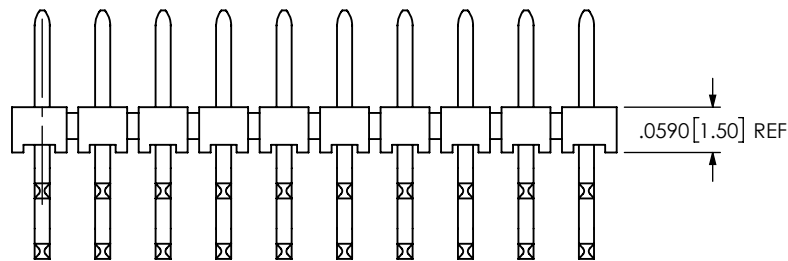
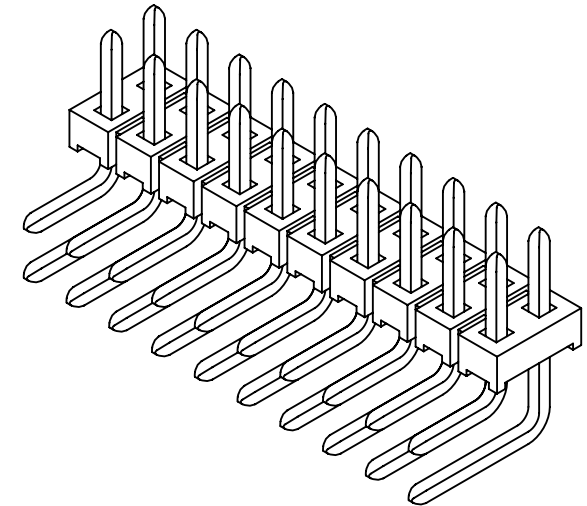
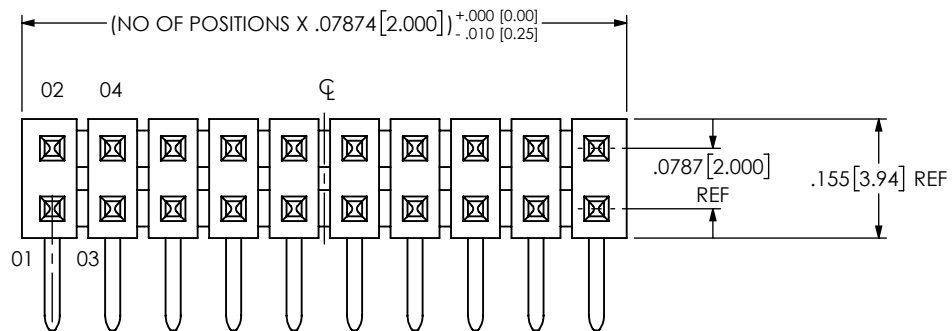


FIG 2  
TMM-110-01-X-D-RA SHOWN  
(DIFFERENT AS SHOWN, OTHERWISE SAME AS FIG 1)

**PROPRIETARY NOTE**  
THIS DOCUMENT CONTAINS CONFIDENTIAL AND PROPRIETARY INFORMATION AND ALL DESIGN, MANUFACTURING, REPRODUCTION, USE, PATENT RIGHTS AND SALES RIGHTS ARE EXPRESSLY RESERVED BY SAMTEC, INC. THIS DOCUMENT SHALL NOT BE DISCLOSED, IN WHOLE OR PART, TO ANY UNAUTHORIZED PERSON OR ENTITY NOR REPRODUCED, TRANSFERRED OR INCORPORATED IN ANY OTHER PROJECT IN ANY MANNER WITHOUT THE EXPRESS WRITTEN CONSENT OF SAMTEC, INC.

**samtec**

520 PARK EAST BLVD, NEW ALBANY, IN 47150  
PHONE: 812-944-6733 FAX: 812-948-5047  
e-Mail info@SAMTEC.com code 55322

DO NOT SCALE DRAWING

SHEET SCALE: 1:2

DESCRIPTION:  
2MM TERMINAL STRIP ASSEMBLY (R/A)

DWG. NO.  
TMM-1XX-XX-XX-X-RA-XXX

BY: REIDINGER 05/22/1991 SHEET 2 OF 2