

DO NOT SCALE FROM THIS PRINT

TABLE 1						
STYLE	TERMINAL	"B" POST	"L" LENGTH	-RA ONLY		
				"C"	"D"	"E"
-01	T-1S8-01-TX	.450 [11.43]	.750 [19.05]	N/R	N/R	
-02	T-1S8-02-TX	.500 [12.70]	.800 [20.32]	.100 [2.54]	.175 [4.45]	.320 [8.13] REF
-03	T-1S8-03-TX	.674 [17.12]	.955 [24.26]	** .195 [4.95]	** .156 [3.96]	** .320 [8.13] REF
-04	T-1S8-04-TX	.809 [20.55]	1.090 [27.69]	.195 [4.95]	.156 [3.96]	.534 [13.46] REF
-05	T-1S8-11-TX	.150 [3.81]	.750 [19.05]	N/R	N/R	N/R
-06	T-1S8-05-TX	1.050 [26.67]	1.350 [34.29]	N/R	N/R	N/R

**=NOT RELEASED FOR PRODUCTION.

FWJ-XX-XX-TX-S-XX

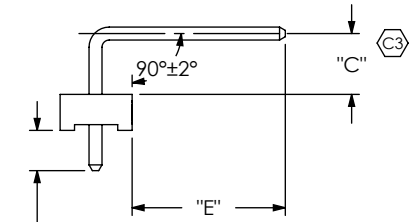
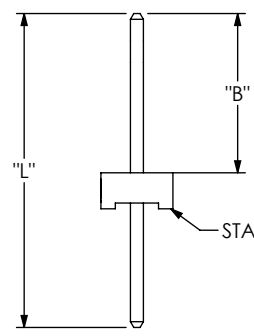
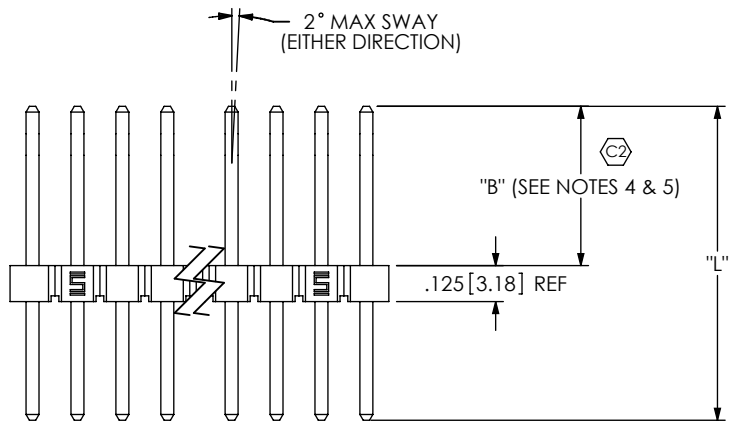
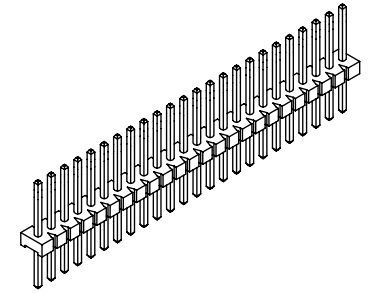
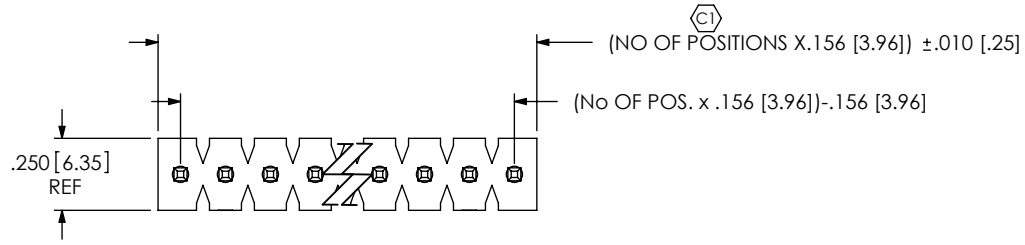
No OF POSITIONS
-01 THRU -23
-24 = SEE FSW-24-156

LEAD STYLE
SEE TABLE 1

OPTION
-RA: RIGHT ANGLE

BODY SPECIFICATION
USE FSW-24-156


PLATING SPECIFICATION
-T: MATTE TIN CONTACT AND TAIL
-TM: MATTE TIN CONTACT AND TAIL



-RA
IN-PROCESS VIEW

-RA
-02 & -04 ONLY

- NOTES:
1. (C) REPRESENTS A CRITICAL DIMENSION.
 2. MIN PUSHOUT FORCE: 3 LBS.
 3. MAX ALLOWABLE BOW AFTER ASSEMBLY: .003 [.08] INCH/INCH
 4. HEIGHT VARIATION BETWEEN PINS SHALL BE .005 [.13] MAX
 5. BANDOLIER AREA TO BE POSITIONED ABOUT OR TOWARDS STANDOFF SIDE OF BODY. ENTIRE BANDOLIER AREA MUST NOT BE LOCATED IN THIS AREA ON LEADSTYLES -01, -02, -03, AND -05.
 6. MAX CUT FLASH: .020 [.51]

UNLESS OTHERWISE SPECIFIED, DIMENSIONS ARE IN INCHES. TOLERANCES ARE: DECIMALS ANGLES .XX: ±.01 [.3] 1° .XXX: ±.005 [.13] .XXXX: ±.0020 [.051]	PROPRIETARY NOTE THIS DOCUMENT CONTAINS CONFIDENTIAL AND PROPRIETARY INFORMATION AND ALL DESIGN, MANUFACTURING, REPRODUCTION, USE, PATENT RIGHTS AND SALES RIGHTS ARE EXPRESSLY RESERVED BY SAMTEC, INC. THIS DOCUMENT SHALL NOT BE DISCLOSED, IN WHOLE OR PART, TO ANY UNAUTHORIZED PERSON OR ENTITY NOR REPRODUCED, TRANSFERRED OR INCORPORATED IN ANY OTHER PROJECT IN ANY MANNER WITHOUT THE EXPRESS WRITTEN CONSENT OF SAMTEC, INC.	 520 PARK EAST BLVD, NEW ALBANY, IN 47150 PHONE: 812-944-6733 FAX: 812-948-5047 e-Mail: info@SAMTEC.com code 55322
	DO NOT SCALE DRAWING SHEET SCALE: 1.5:1	
MATERIAL: INSULATOR: PBT, UL 94 VO COLOR: BLACK	TERMINAL: PIN STYLES -01 THRU -05: PHOS BRONZE PIN STYLE -11: CDA 7025	DWG. NO. FWJ-XX-XX-TX-S-XX
F:\DWG\MISC\MKTG\FWJ-XX-XX-TX-S-XX-MKT.SLDDRW	BY: DEAN PURVIS 2-19-86	SHEET 1 OF 1