

Image for illustrative purpose only

Summary

[Request a quote](#)

[Catalog](#)

[See video assembly instructions](#)

Number of contacts Low Voltage	14
Wire Size/AWG	34 - 28
Gender	Standard
Plug	Plug - Straight
Locking system	Push-pull
Jacket cable outside diameter [mm]	4.30 - 5.20 mm
Size	1B
Suggested matching part	EGG.1B.314.GLL
Series	B - Indoor keyed

https://www.lemo.com/int_en/solutions/originals/b-indoor-keyed/fgg-1b-314-glad52.html

LEMO products and services are provided "as is". LEMO makes no warranties or representations with regard to LEMO product & services or use of them, express, implied or statutory, including for accuracy, completeness, or security. The user is fully responsible for his products and applications using LEMO components.

Technical details

Electrical Configuration

Contact Termination Low voltage	Solder
R (max)	8.7 mOhm
Insert configuration value	1B.314 - 14 Low Voltage
Insulator	L: PEEK (UL 94 / V-0/1.5)
Rated current	2 A
Vtest (contact-contact)	800 V (AC), 1130 V (DC)
Vtest (contact-shell)	1200 V (AC), 1700 V (DC)
Contact Type	Solder
Max. Solid Conductor	0.09 mm ² (AWG 28)
Max. Stranded Conductor	0.09 mm ² (AWG 28)
Bucket Dia.	0.45 mm (0.018in)
Contact Dia.	0.5 mm (0.02in)
Number of contacts Low Voltage	14
Wire Size/AWG	34 - 28
Gender	Standard

Form & Material

Shell style / Model id	FG - Straight plug, cable collet, PEEK outer shell
Plug	Straight
Housing material	PEEK (Polyetheretherketone) shell and collet nut, nickel plated [SAE AMS QQ N 290] brass latch sleeve+mid pieces (if plug)
Locking system	Push-pull
Keying	G: 1 key (alpha=0, plug: male contacts, receptacle: female contacts)
Weight	11.36 g

https://www.lemo.com/int_en/solutions/originals/b-indoor-keyed/fgg-1b-314-glad52.html

LEMO products and services are provided "as is". LEMO makes no warranties or representations with regard to LEMO product & services or use of them, express, implied or statutory, including for accuracy, completeness, or security. The user is fully responsible for his products and applications using LEMO components.

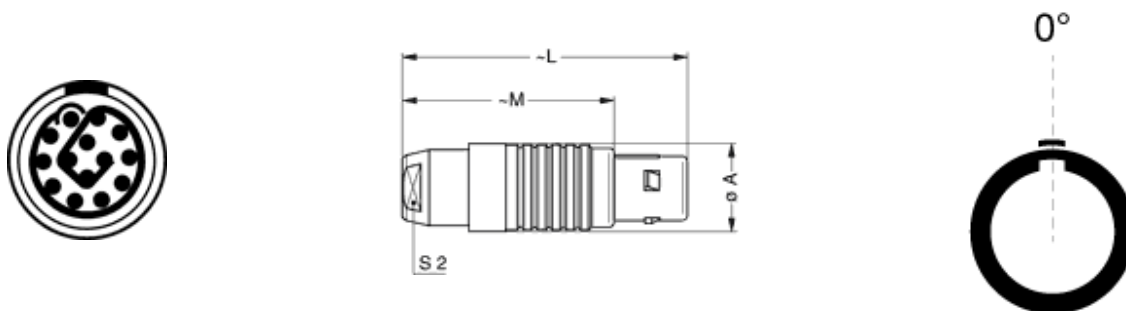
Environment

Technical domain	Audio Video, Energy and Industrial, Medical, Semiconductor, Specialties and Other, Test and Measurement, Transportation, Aerospace and UAV
Environmental sealing (IP rating)	IP50
Endurance	5000 mating cycles
Temperature range	-50°C / +250°C
Climatical Category	50/175/21
Humidity (max)	<=95% [at 60 deg C /140 F]
Shielding (min)	75 dB (10 MHz)
Shielding (min)	40 dB (1 GHz)
Shock Resistance	100 g [6 ms]
Vibration	15 g [10 Hz - 2000 Hz]

Cable fixation

Cable termination protection	Standard back nut (no additional protection)
Fixation type	Cable collet
Jacket cable outside diameter [mm]	4.30 - 5.20 mm

Drawings



Dimensions

	S2	A	L	M
mm.	10	13.5	43	32
in.	0.39	0.53	1.69	1.26

https://www.lemo.com/int_en/solutions/originals/b-indoor-keyed/fgg-1b-314-glad52.html

LEMO products and services are provided "as is". LEMO makes no warranties or representations with regard to LEMO product & services or use of them, express, implied or statutory, including for accuracy, completeness, or security. The user is fully responsible for his products and applications using LEMO components.