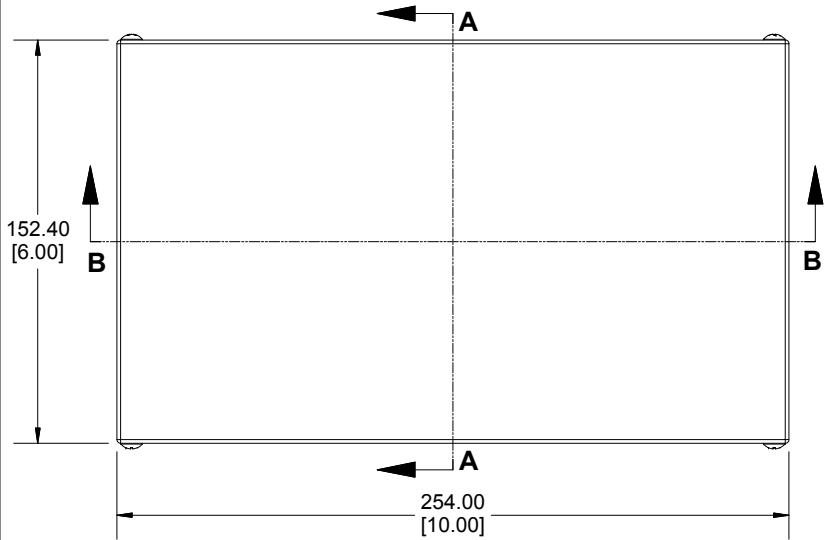
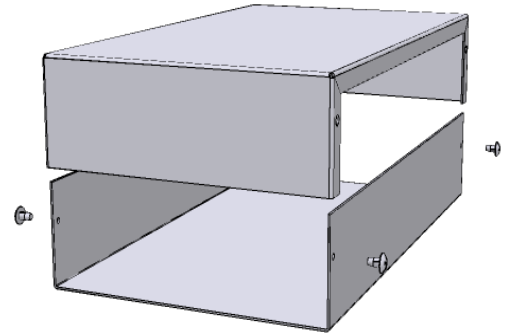
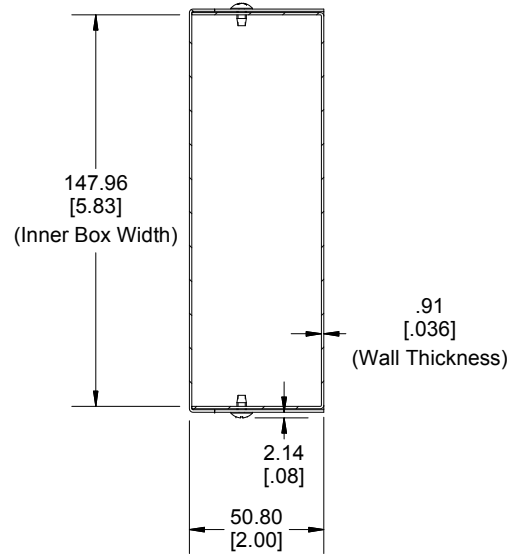


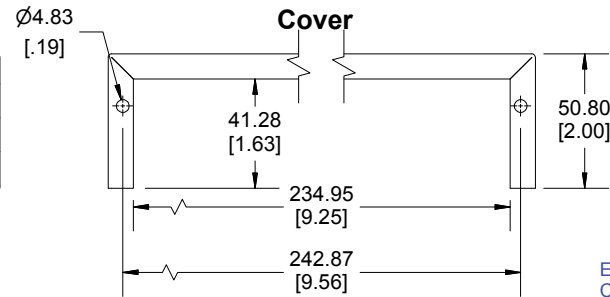
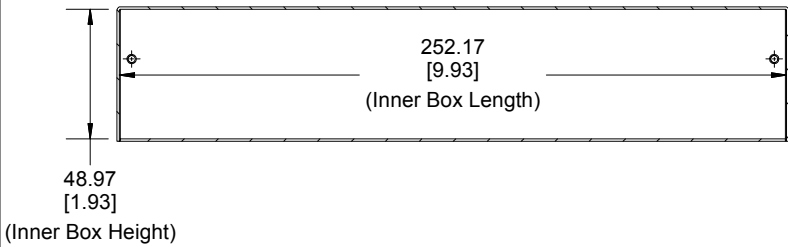
**Top View of Assembly**



**SECTION A-A  
End View of Assembly**

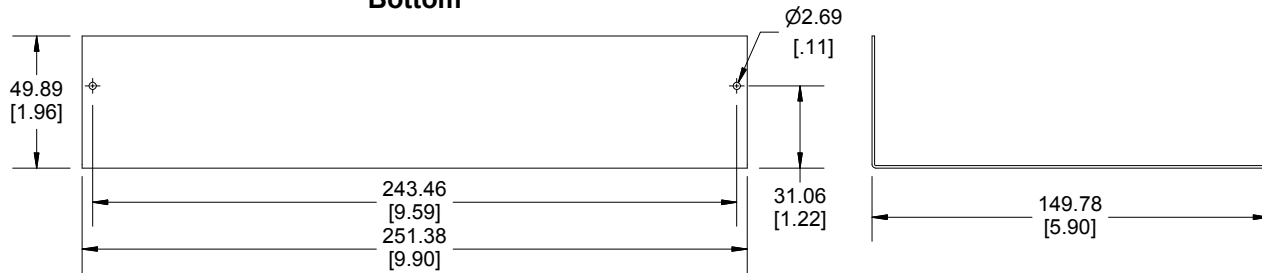


**SECTION B-B  
Side View of Assembly**



Enclosures can be Factory Modified ( Milling, Drilling, Printing etc.)  
Contact Factory [mjm@hammondmfg.com](mailto:mjm@hammondmfg.com) for quotes  
Solid models of this enclosure available in STEP or IGES.

**Bottom**



**NOTE**

Purchased assembly includes bottom, cover and 4 cover screws.  
Bottom and cover are made from 0.036" Steel.

**PART NUMBERS**

1412TT Enclosure

ASA 61 Grey Enclosure

1412TT

**ACCESSORIES**

Plated Cover Screws (Pkg 6)

1421J6

[6-32 x 1/4" Self-Tapping Screws]



**HAMMOND  
MANUFACTURING™**

**1412TT**

[www.hammondmfg.com](http://www.hammondmfg.com)

**Dimensions:**  
mm  
[inches]