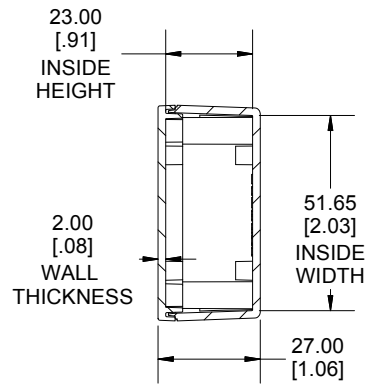
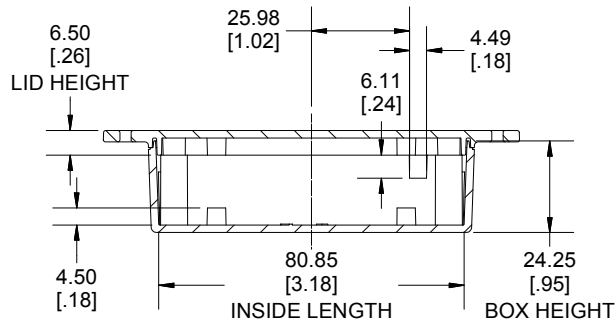
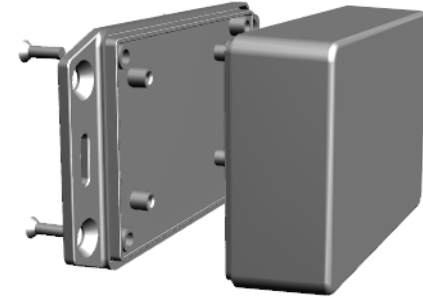


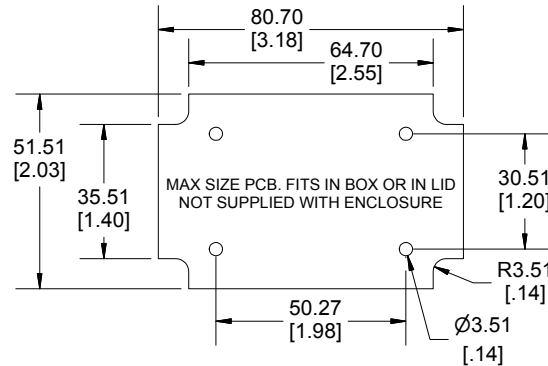
TOP VIEW



**SECTION B-B
END VIEW**



**SECTION A-A
SIDE VIEW**



Enclosures can be Factory Modified (Milling, Drilling, Printing etc.)
 Contact Factory mjm@hammondmfg.com for quotes
 Solid models of this enclosure available in STEP or IGES.
 (Part number and text placement/orientation on our products are subject to change,
 we do not recommend using them as a locating reference for modification purposes)

NOTE

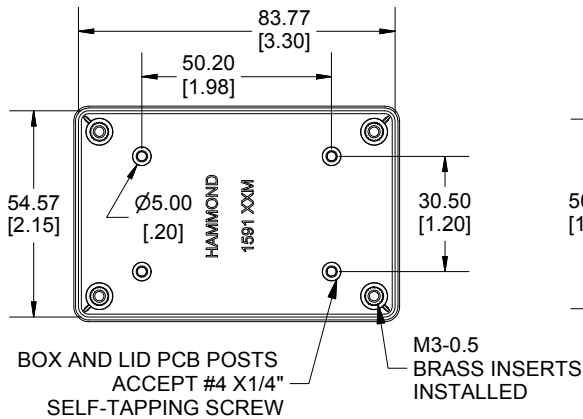
Purchased assembly includes box, lid, 4 cover screws and installed brass inserts.
 Enclosure molded from FRABS UL 94-V0 Plastic.
 Other materials / colours available consult factory.

Recommended Torque : (43-50) Ozf.in / (30-35) cNm

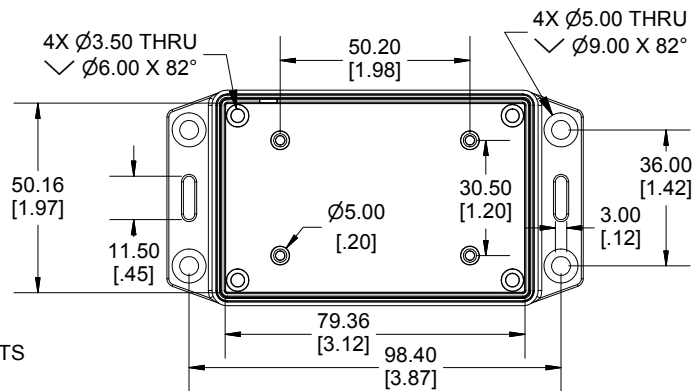
PART NUMBERS

1591XXMFL Enclosure

Black Textured Enclosure	1591XXMFLBK
Gray Textured Enclosure	1591XXMFLGY
ACCESSORIES	
Black Cover Screws [M3-0.5 X10mm]	1591MS100BK (Pkg 100)
Plated Cover Screws [M3-0.5 X10mm]	1591MS100 (Pkg 100)
P.C. Board Screws	1593ATS60 (Pkg 50)
[#4 x 1/4" self-tapping (6.4mm)]	1593ATS100 (Pkg 100)



INSIDE BOX



INSIDE LID

Dimensions:
 mm
 [inches]

**HAMMOND
 MANUFACTURING®**
1591XXMFL
www.hammondmfg.com