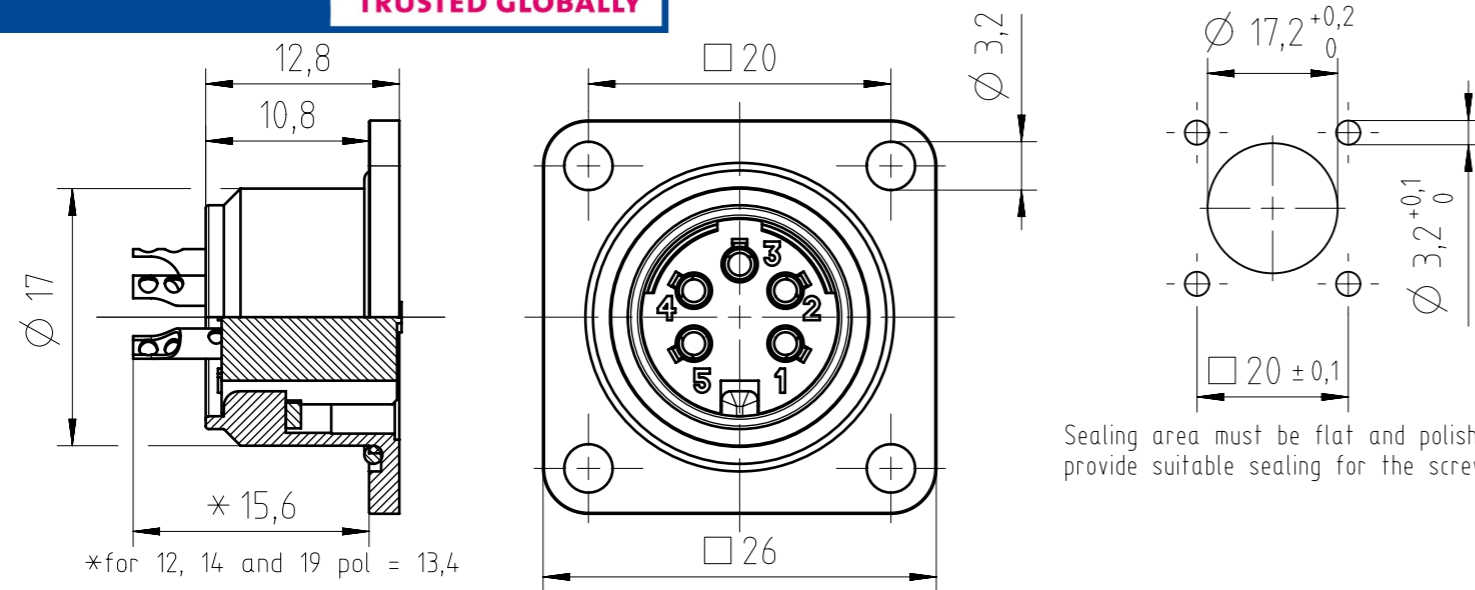


Panel Cutout M1:1



	19 (19-a)	C091 31T019 100 2 U	C091 31T019 200 2 U
	14 (14-b)	C091 31T114 100 2 U	C091 31T114 200 2 U
	14 (14-a)	C091 31T014 100 2 U	C091 31T014 200 2 U
	12 (12-a)	C091 31T012 100 2 U	C091 31T012 200 2 U
	8 (08-a)	C091 31T008 100 2 U	C091 31T008 200 2 U
	7 (07-b)	C091 31T107 100 2 U	C091 31T107 200 2 U
	7 (07-a)	C091 31T007 100 2 U	C091 31T007 200 2 U
	6 (06-a)	C091 31T006 100 2 U	C091 31T006 200 2 U
	5 (05-b)	C091 31T105 100 2 U	C091 31T105 200 2 U
	5 (05-a)	C091 31T005 100 2 U	C091 31T005 200 2 U
	4 (04-a)	C091 31T004 100 2 U	C091 31T004 200 2 U
	3 (03-a)	C091 31T003 100 2 U	C091 31T003 200 2 U

View on mating side	Number of contacts (Contact arrangement acc. IEC 61076-2-106)	Part number-Ag	Part number-Au
---------------------	--	----------------	----------------

Number of contacts	Standard	3	4	5	5	6	7	7	8	12	14	14	19	
Contact arrangement	IEC 61076-2-106	03-a	04-a	05-a	05-b	06-a	07-a	07-b	08-a	12-a	14-a	14-b	19-a	
Contact arrangement	IEC 60130-9 ^{b)}	yes		no		yes		no		no				
Rated voltage ²⁾	IEC 60664-1	300 V (100 V)		300 V (63 V)		100 V (32 V)		300 V (63 V)		100 V (32 V)		150 V (32 V) 60 V (32 V)		
Rated voltage	UL 1977	250V												
Rated impulse withstand voltage ²⁾	IEC 60664-1	1500 V (1500 V)		1200 V (800 V)		1500 V (1500 V)		1200 V (800 V)						
Pollution degree ²⁾	IEC 60664-1	1 (3 ³⁾)												
Installation category	IEC 60664-1	I												
Insulation group	IEC 60664-1	II, 400 ≤ CTI < 600												
Current rating	IEC 60512-5-2 UL 1977	10A/+40°C			7A/+40°C						3A/+40°C			
Insulation resistance	IEC 60512-3-1	>10 ¹⁰ Ohm ⁴⁾												
Contact resistance	IEC 60512-2-1	<5mOhm												
Climatic category	IEC 60668-1	40 / 100 / 56												
Temperatur range	IEC 60668-1	-40°C...+100°C / -40°F...+212°F												
Salt spray resistance	DIN IEC 60068-2-11, test Ka	720h												
IP degree	IEC 60529	IP 69K / IP 67 / IP 65 (in mated condition)												
Insertion and withdrawal force	IEC 60512-13-2	25N	30N	35N	35N	50N	55N	55N	60N	50N	50N	50N	60N	
mechanical operation	IEC 60512-9-1	Silver ≥500 mating cycles / Gold ≥1000 mating cycles												
housing material		brass and / or zinc die cast, nickel plated												
dielectric material		thermoplastic												
sealing material		Chloroprene												
contacts		silver or gold plated												
termination technique		solder												
wire gauge		≤0,5mm ² / 20 AWG						≤0,35mm ² / 22 AWG						
flamability		UL 94 V0												
locking system	IEC 60130-9 DIN EN 61076-2-106	metal screw coupling; tightening torque 0,7 - 1,5 Nm												

Gewicht (errechnet) / Calc WT: 16,88 g	Zul. Abw./Tolerances:	Maßstab / Scale: 2:1;1:1	A3	
Prüfmaß / Testdimension	ISO 2768-c	CUSTOMER DRAWING		
Teileindex / Partindexnumber:	DIN / ISO 13715	Female receptacle female receptacle		
Bagatelle change: 24.02.2021 MCARLE	Gez. 10.12.2019 Drawn MTOLKSDORF	Blatt/Sheet 1		
	Status Released	1 Bl.		
	Gepr. 11.01.2021 Checked MBERTSCH	Ers. f. l. Replacement for: M-C091 31TXXX X00 2 U, Rev.02		
04 202000083 26.10.2020 MCARLE	Amphenol Tuchel Industrial GmbH			
03 201900002 13.12.2019 MCARLE				
Index Änderung/Description Datum/Date Name				

¹⁾ Edition 2000-05
²⁾ values in brackets are according to DIN EN 61076-2-106
³⁾ designed acc. pollution degree 2, can be used under pollution degree 3 when the rules of IEC 60644-1 are fulfilled
⁴⁾ under operating conditions >10⁸ Ohm
 Do not connect or disconnect under load Metal housing parts shall be securely incorporated to protected ground
 Remark for gold plated contacts:
 In order to avoid brittle inter-metallic connections, gold plated terminals have to be tin-plated in the solder area.
 All technical data have been measured in a laboratory environment and can be different during practical usage of the product. Any product information is for descriptive usage only and not legally binding, particularly the information does not constitute or provide any legal guaranties ("Beschaffenheitsgarantie" or "Haltbarkeitsgarantie").

Weitergabe sowie Vervielfältigung dieser Unterlage, Verwertung und Mitteilung ihres Inhalts nicht gestattet, soweit nicht ausdrücklich zugestanden. Zuwiderhandlungen verpflichten zu Schadensersatz. Alle Rechte für den Fall der Patenterteilung oder Gebrauchsmuster-Eintragung vorbehalten.

FAI2020-001864
NXM-V04