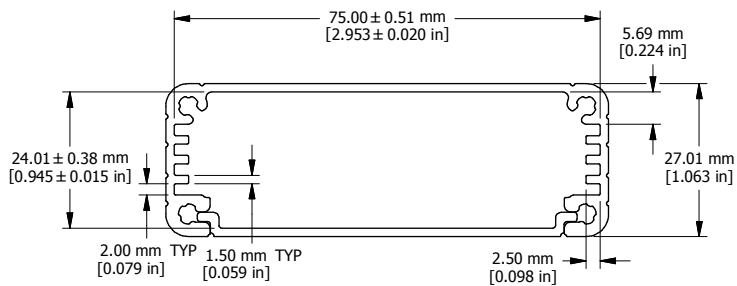
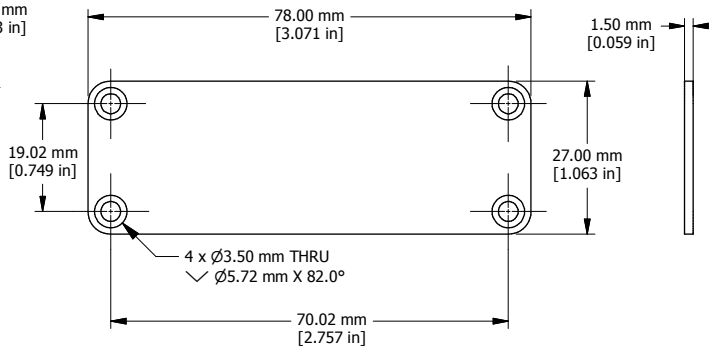


2

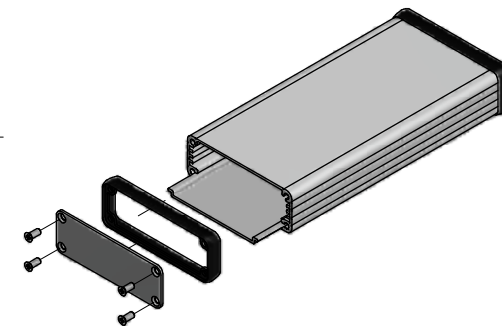
1



EXTRUSION



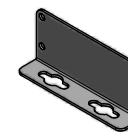
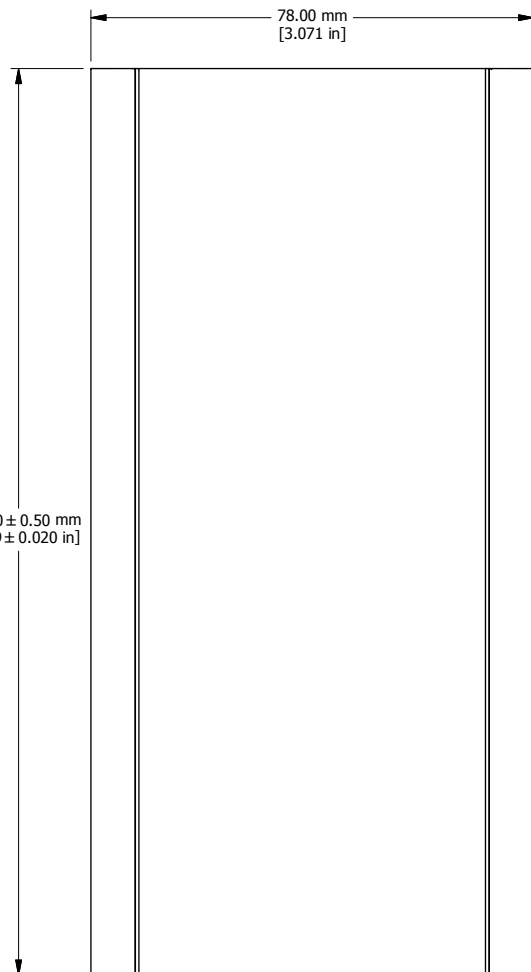
EXTRUSION DESIGNED FOR 75MM WIDE PC BOARD



EXPLODED ASSEMBLY VIEW

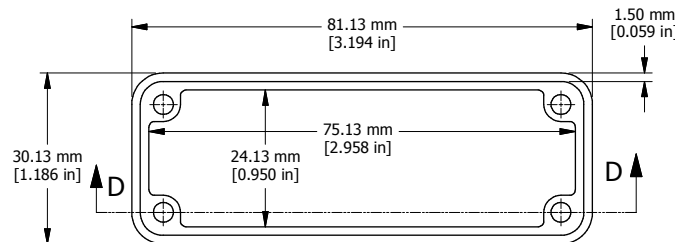
B

B

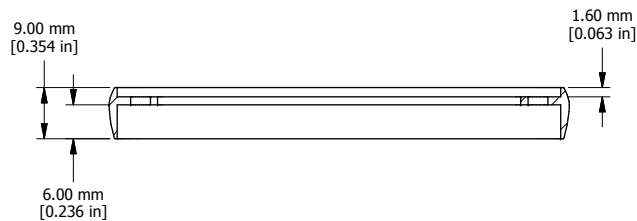


OPTIONAL FLANGE END PANELS
1455JF

Enclosures can be Factory Modified (Milling, Drilling, Printing etc.)
Solid models of this enclosure available in STEP or IGES.
Contact Factory mjm@hammondmfg.com



OPEN BEZEL



NOTE
 Purchased assembly includes box, plastic bezels, end panels, #6 Taptight screws and self adhesive rubber feet.
 Box made from Extruded Aluminum 6063.
 Bezels made with polycarbonate.

1455J1601	
PART NUMBERS	
Clear Anodized	1455J1601
Black Anodized	1455J1601BK
Blue Anodized	1455J1601BU
Red Anodized	1455J1601RD
ACCESSORIES	
See website for accessories.	

**HAMMOND
MANUFACTURING™**
1455J1601
www.hammondmfg.com

2

1

A

A