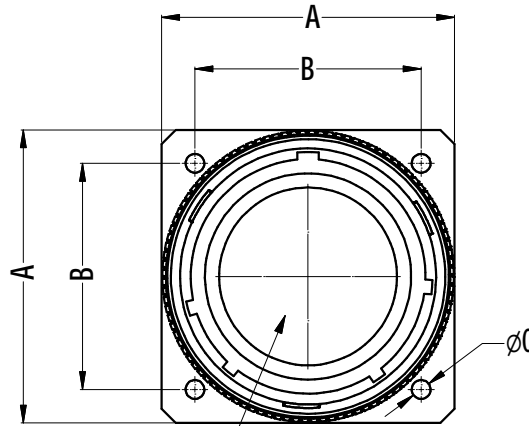
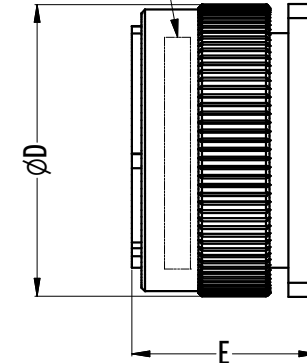


ISOMETRIC VIEW



CONTACTS NOT SHOWN
FOR No OF CONTACTS REFER TO TABLE

Amphenol LOGO & PART No.



Parts List, Dimensions in mm

ITEM	CATALOGUE P/No	No. OF CONTACT	A	B	DIA C	DIA D	E
1	MP-6256-39P	39	38.9	29.4	6-32UNC	39.0	26.5
2	MP-6256-61P	61	43.9	34.9	6-32UNC	45.5	26.5

NOTES:

1. MATERIAL AND FINISH: DIE CAST ALUMINUM ALLOY, BLACK FINISH
2. SUPPLIED WITH GOLD PLATED SOLDER PIN CONTACTS

CUSTOMER DRAWING

3	CHANGE FINISH TO BLACK COATING	T.N	17/02/06	8478
2	SEE CHANGE NOTE 8422	T.N	09/09/05	8422
1	CHANGE FINISH FROM PLATING TO COATING	L.V	16/04/2004	8277
0	FIRST ISSUE	T.N	6/02/2004	----
REV.	CHANGE DETAILS	BY	DATE	CHG/No

UNLESS OTHERWISE SPECIFIED TOLERANCE TO BE		THIS DOCUMENT IS THE PROPERTY OF AMPHENOL AUSTRALIA PTY. LTD.. NO PART THEREOF MAY BE REPRODUCED AND USED WITHOUT THE PRIOR WRITTEN CONSENT OF THE OWNER				TITLE:		Amphenol Amphenol Australia Pty Ltd, 2 Fiveways Blvd, Keysborough, Vic 3172	
LINEAR		ANGULAR		CAD FILE: 55010270000213	DRN: T.N	DATE: 6/02/2004	DRAWING NO.		
X ± N/A	X' ± 1			MATL: SEE NOTE 1	CKD: P.M	DATE: 20/02/06	SHEET		
XX ± N/A	X'X' ± 30'			FINISH: SEE NOTE 1	APP'D: P.M	DATE: 20/02/06	2/2		
XXX ± N/A	X'X'X' ± 15'			SCALE: N/A		PART No: SEE TABLE	SIZE: A4		
BREAK ALL SHARP EDGES AND REMOVE ALL BURRS		DO NOT SCALE		DIMENSIONS IN MILLIMETRES		THIRD ANGLE PROJECTION		55010270-000-2	

PANEL PLUG WITH PIN SOLDER CONTACTS

Amphenol
Amphenol Australia Pty Ltd, 2 Fiveways Blvd, Keysborough, Vic 3172
DRAWING NO. 55010270-000-2
SHEET 2/2