

DO NOT SCALE FROM THIS PRINT

DESIGNED & DIMENSIONED IN MILLIMETERS

FJH-XX-X-XX.XX-X

No OF POSITIONS
-06, -10, -15, -20, -24,
-25, -30, -40, -43, 50
(SEE TABLE 1)

STRIP LENGTH
-4: 4MM

LENGTH
-XX.XX INCHES ±.125 INCH
(-D & -R: 2.00 MINIMUM)
(-S: 2.50 MINIMUM)

STYLE
*-S: SINGLE ENDED
-D: DOUBLE ENDED
-R: REVERSE STIFFENER

* = AS OF 1/1/11, -S (SINGLE ENDED) AVAILABLE TO EXISTING CUSTOMERS ONLY, ALL OTHERS WILL BE ASP'S.

MATERIAL LENGTH (INCHES) PER CABLE (SEE NOTE 3)	
TPW-03	No. OF POSITIONS x (LENGTH + .314) INCHES
FS-17	A INCHES
JIF-120	((2 x LENGTH + .315) INCHES) X (A/120)

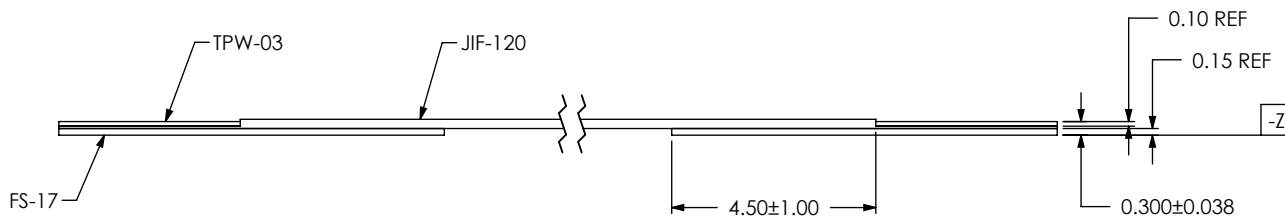
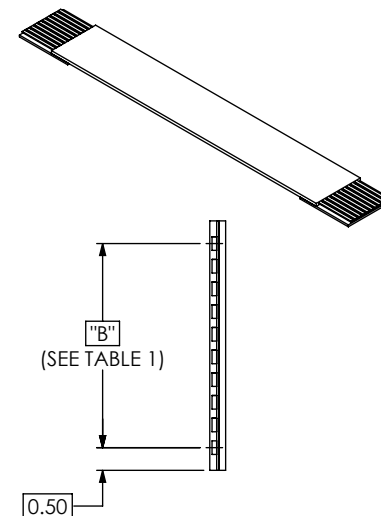
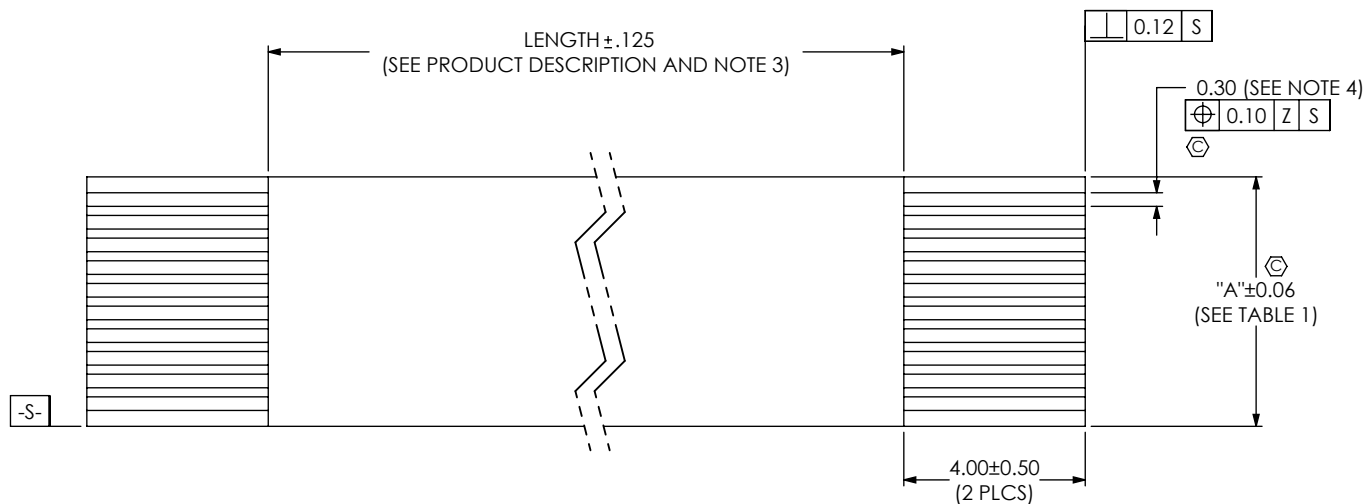



FIG 1
(-D=DOUBLE ENDED)
(FJH-10-D-XX.XX-4 SHOWN)

No. OF POSITIONS	"A"	"B"
-06	3.50	2.50
-10	5.50	4.50
-15	8.00	7.00
-20	10.50	9.50
-24	12.50	11.50
-25	13.00	12.00
-30	15.50	14.50
-40	20.50	19.50
-43	22.00	21.00
-50	25.50	24.50

NOTE:

1. ⊗ REPRESENTS A CRITICAL DIMENSION.
2. TO BE MEASURED AT BASE OF EXPOSED LEAD.
3. ENGLISH IS PRIMARY FOR THIS MEASUREMENT.
4. TO BE MEASURED ON BOTH EDGES OF CABLE.

CPC THIS SHEET	UNLESS OTHERWISE SPECIFIED, DIMENSIONS ARE IN MILLIMETERS. TOLERANCES ARE: DECIMALS ANGLES X.X: ±0.3 2° X.XX: ±0.05 X.XXX: ±0.025	PROPRIETARY NOTE THIS DOCUMENT CONTAINS CONFIDENTIAL AND PROPRIETARY INFORMATION AND ALL DESIGN, MANUFACTURING, REPRODUCTION, USE, PATENT RIGHTS AND SALES RIGHTS ARE EXPRESSLY RESERVED BY SAMTEC, INC. THIS DOCUMENT SHALL NOT BE DISCLOSED, IN WHOLE OR PART, TO ANY UNAUTHORIZED PERSON OR ENTITY NOR REPRODUCED, TRANSFERRED OR INCORPORATED IN ANY OTHER PROJECT IN ANY MANNER WITHOUT THE EXPRESS WRITTEN CONSENT OF SAMTEC, INC.	 520 PARK EAST BLVD. NEW ALBANY, IN 47150 PHONE: 812-944-6733 FAX: 812-948-5047 e-Mail: info@SAMTEC.com code 55322
	MATERIAL: DO NOT SCALE DRAWING SHEET SCALE: 6:1	DESCRIPTION: .5mm FLEX CABLE JUMPER	
C5, C6, C9	CONDUCTORS: TIN PLATED COPPER SURFACE FINISH EITHER BRIGHT TIN (99.9% SN) OR MATTE TIN (95.5% SN, 3.5% AG, 1% CU) INSULATION & STIFFENER: POLYESTER	DWG. NO. FJH-XX-X-XX.XX-X	
	F:\DWG\MISC\MKTG\FJH-XX-X-XX.XX-X-MKT.SLDDRW	BY: KEVIN B 6/28/00	SHEET 1 OF 2

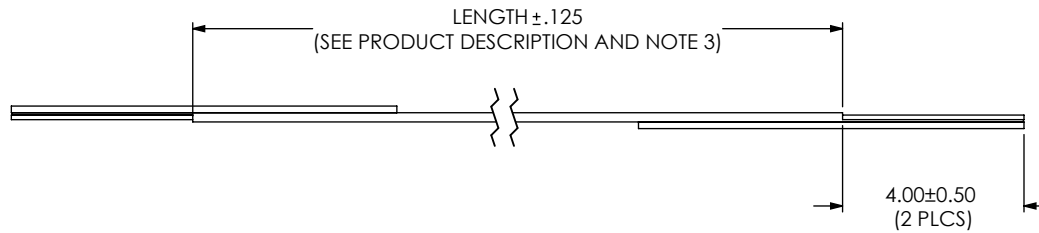


FIG 2
 (-R= REVERSE STIFFENER) (MACHINE BUILT)
 (SAME AS FIG 1 UNLESS STATED)

CPC THIS SHEET	* PROPRIETARY NOTE *	 520 PARK EAST BLVD, NEW ALBANY, IN 47150 PHONE: 812-944-6733 FAX: 812-948-5047 e-Mail info@SAMTEC.com code 55322
	THIS DOCUMENT CONTAINS CONFIDENTIAL AND PROPRIETARY INFORMATION AND ALL DESIGN, MANUFACTURING, REPRODUCTION, USE, PATENT RIGHTS AND SALES RIGHTS ARE EXPRESSLY RESERVED BY SAMTEC, INC. THIS DOCUMENT SHALL NOT BE DISCLOSED, IN WHOLE OR PART, TO ANY UNAUTHORIZED PERSON OR ENTITY NOR REPRODUCED, TRANSFERRED OR INCORPORATED IN ANY OTHER PROJECT IN ANY MANNER WITHOUT THE EXPRESS WRITTEN CONSENT OF SAMTEC, INC.	
	DO NOT SCALE DRAWING SHEET SCALE: 6:1	
DESCRIPTION: .5mm FLEX CABLE JUMPER		DWG. NO. FJH-XX-X-XX.XX-X
BY: KEVIN B 6/28/00		