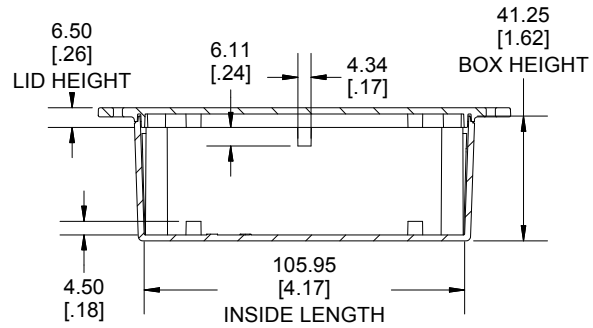
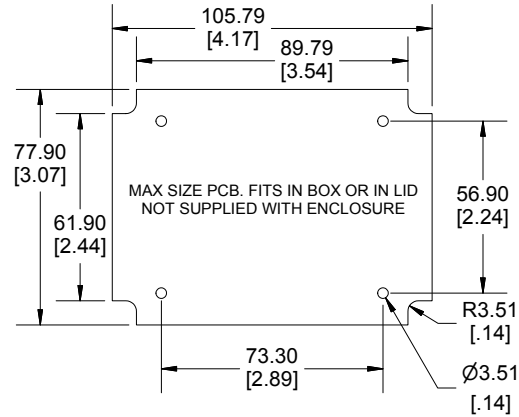


**SECTION B-B
END VIEW**



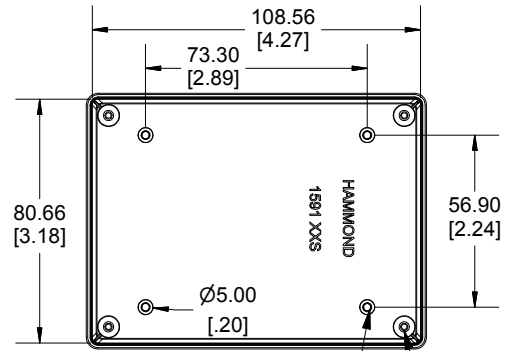
**SECTION A-A
SIDE VIEW**



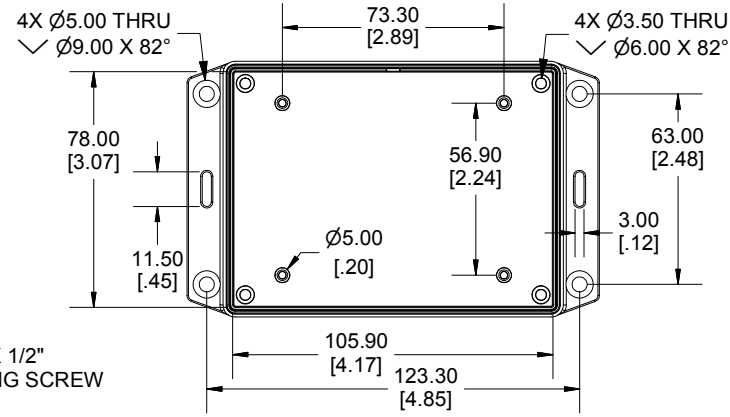
Enclosures can be Factory Modified (Milling, Drilling, Printing etc.)
 Contact Factory mjm@hammondmfg.com for quotes
 Solid models of this enclosure available in STEP or IGES.
 (Part number and text placement/orientation on our products are subject to change,
 we do not recommend using them as a locating reference for modification purposes)

NOTE	
Purchased assembly includes box, lid and Enclosure molded from GPABS Plastic. Other materials / colours available consult factory.	
Recommended Torque : (35-43) Ozf.in / (25-30) cN.m	

PART NUMBERS	
1591XXSSFL Enclosure	
Black Textured Enclosure	1591XXSSFLBK
ACCESSORIES	
Black Cover Screws #4 X 1/2" Self-tapping	1591TS100BK (Pkg 100)
Plated Cover Screws #4 X 1/2" Self-tapping	1591TS100 (Pkg 100)
P.C. Board Screws (#4 x 1/4" self-tapping (6.4mm))	1593ATS50 (Pkg 50) 1593ATS100 (Pkg 100)



INSIDE BOX



INSIDE LID

BOX AND LID PCB POSTS ACCEPT #4 X 1/4" SELF-TAPPING SCREW

ACCEPT #4 X 1/2" SELF-TAPPING SCREW

Dimensions:
mm
[inches]

**HAMMOND
MANUFACTURING®**

1591XXSSFL

www.hammondmfg.com